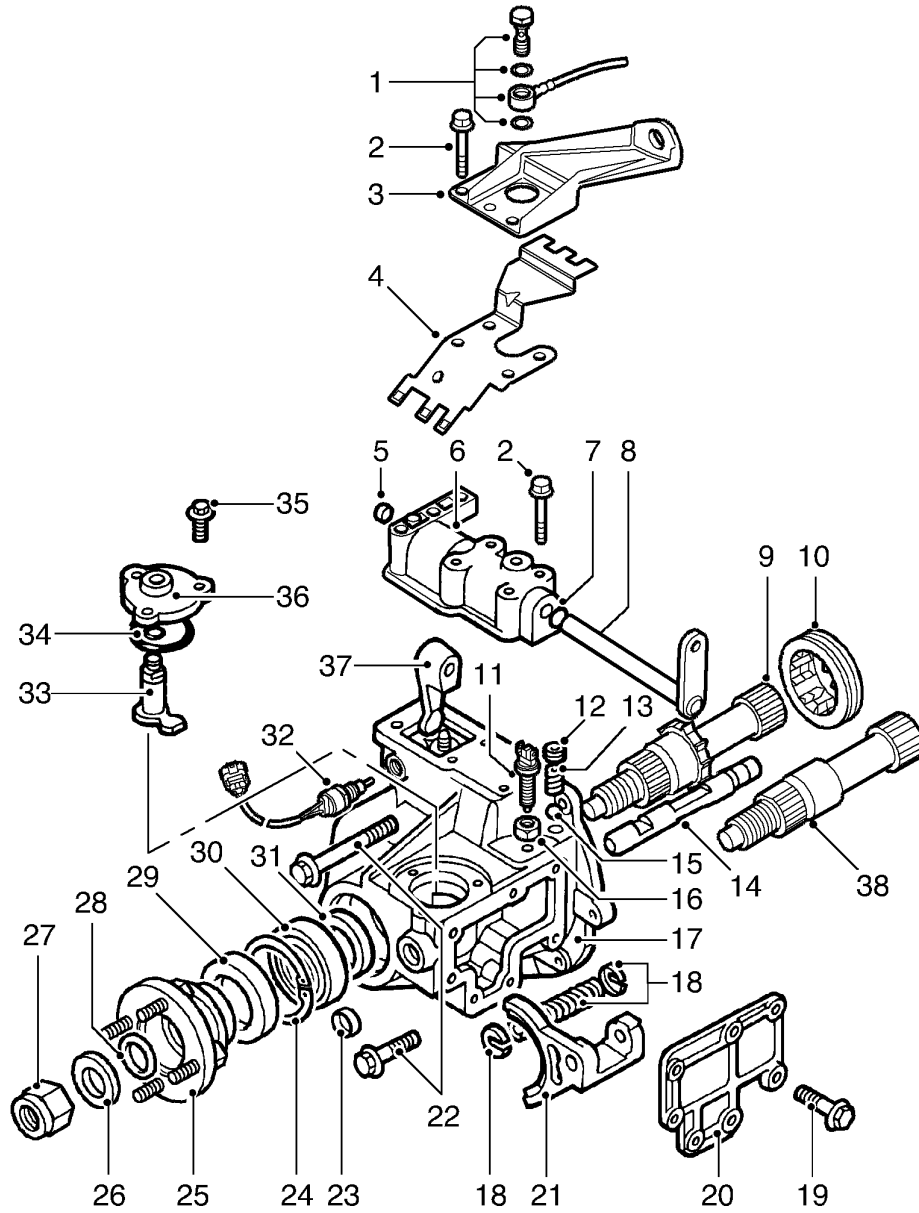


TRANSFER BOX - LT230SE

Front output housing components – Vehicles up to 03 model year



M41 7807



-
- | | |
|---|---|
| 1 Breather pipe, banjo bolt and sealing washers | 22 Bolt - front output housing |
| 2 Bolt - high/low cross shaft housing and abutment bracket | 23 Hollow plug |
| 3 Selector cable abutment bracket | 24 Circlip |
| 4 Multiplug bracket | 25 Front output flange |
| 5 Hollow plug | 26 Steel washer |
| 6 High/low cross shaft housing | 27 Self-locking nut |
| 7 'O' ring | 28 Felt washer |
| 8 High/low cross shaft and lever | 29 Oil seal |
| 9 Front output shaft - Differential lock - If fitted | 30 Output shaft bearing |
| 10 Dog clutch - Differential lock - If fitted | 31 Bearing spacer |
| 11 Warning lamp switch - Differential lock - If fitted | 32 High/low detect switch |
| 12 Detent plug - Differential lock - If fitted | 33 Selector finger and shaft - Differential lock - If fitted |
| 13 Detent spring - Differential lock - If fitted | 34 'O' rings - Differential lock - If fitted |
| 14 Selector shaft - Differential lock - If fitted | 35 Bolt - selector housing - Differential lock - If fitted |
| 15 Detent ball - Differential lock - If fitted | 36 Selector housing - Differential lock - If fitted |
| 16 Threaded spacer - Differential lock - If fitted | 37 High/low selector finger |
| 17 Front output housing | 38 Front output shaft - Vehicles not fitted with differential lock |
| 18 Spring and clips - Differential lock - If fitted | |
| 19 Bolt - cover plate | |
| 20 Cover plate | |
| 21 Selector fork - Differential lock - If fitted | |