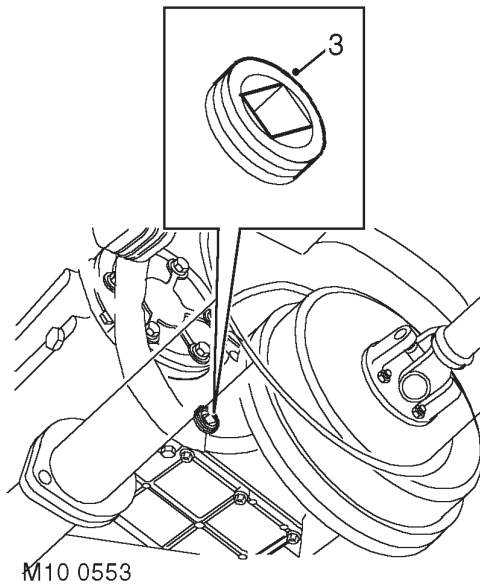




Transfer box

WARNING: Avoid excessive skin contact with mineral oil. Mineral oils remove the natural fats from the skin, leading to dryness, irritation and dermatitis.

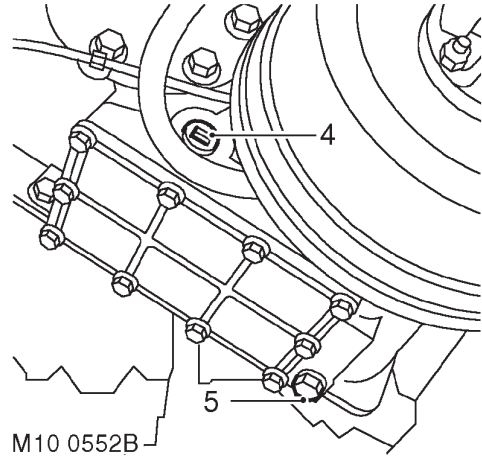
Check/top-up oil level



1. Release fixings, remove rear underbelly panel.
2. Clean area around oil filler/level plug.
3. Remove oil filler/level plug.
4. Check that oil level is to bottom of filler/level plug hole.
5. Top-up level (if required) with recommended oil to bottom of oil filler/level plug hole.
 ☞ **CAPACITIES, FLUIDS, LUBRICANTS AND SEALANTS, Lubrication.**
6. Fit transfer box filler/level plug and tighten to 25 Nm (18 lbf.ft).
7. Remove all traces of oil from main casing.
8. Fit rear underbelly panel (if fitted), secure fixings.

Replace oil

1. Release fixings, remove rear underbelly panel.
2. Place a suitable container beneath transfer box drain plug.



3. Clean area around oil filler/level and drain plugs.
4. Remove oil filler/level plug.
5. Remove oil drain plug.
6. Allow oil to drain.
7. Fit transfer box drain plug and tighten to 30 Nm (22 lbf.ft).
8. Fill transfer box with recommended oil to bottom of oil filler/level plug hole.
 ☞ **CAPACITIES, FLUIDS, LUBRICANTS AND SEALANTS, Lubrication.**
9. Fit transfer box filler/level plug and tighten to 25 Nm (18 lbf.ft).
10. Remove all traces of oil from transfer box.
11. Fit rear underbelly panel (if fitted), secure fixings.