



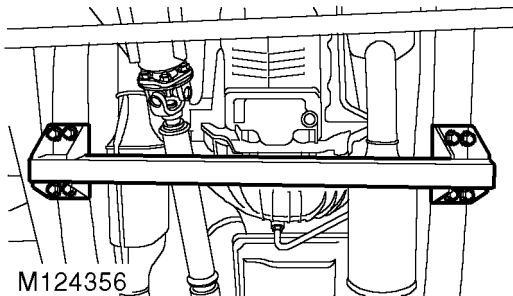
Gasket - sump

➔ 12.60.38

Remove

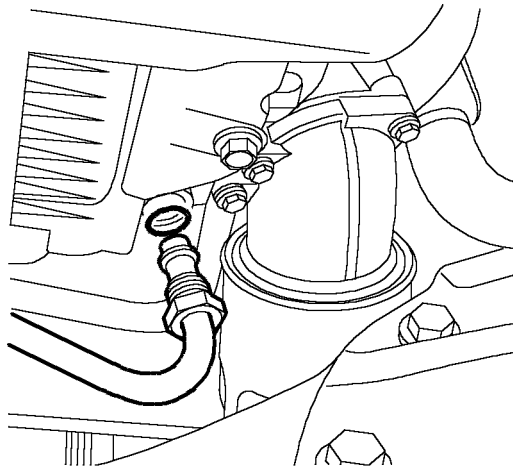
1. Release fixings and remove battery cover.
2. Disconnect battery earth lead.
3. Remove dipstick.
4. Raise the vehicle on a ramp.
5. Drain engine oil.

👉 **MAINTENANCE, PROCEDURES,
Engine oil - V8 engine.**



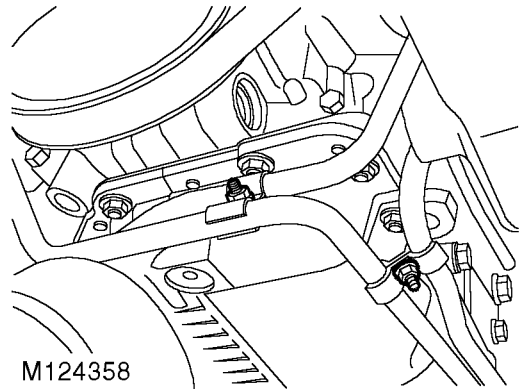
M124356

6. Remove 8 bolts securing cross member and remove cross member.
7. Raise front of vehicle under body to increase clearance between engine and front axle.



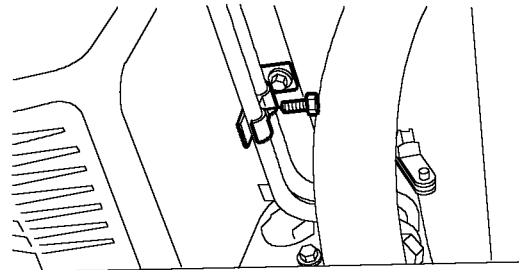
M124357

8. Disconnect and release gearbox oil cooler pipe and discard 'O' ring.



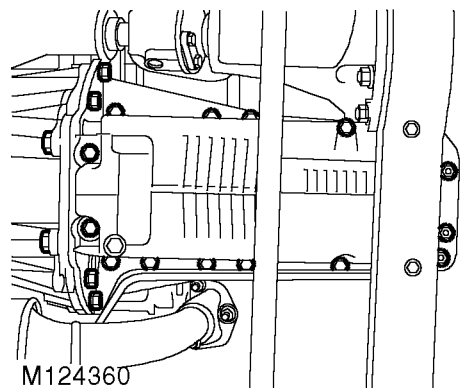
M124358

9. Remove 2 clips securing oil cooler pipes at front of sump.



M124359

10. Remove clip securing oil cooler pipes to side of sump.
11. Remove clip bracket.



M124360

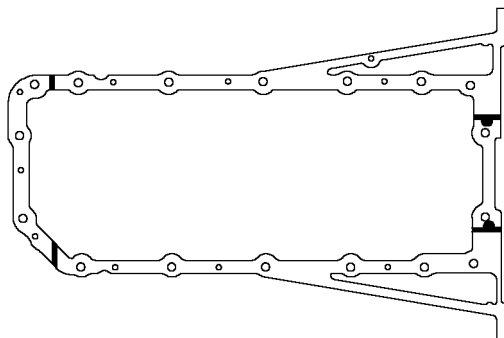
12. Remove 2 forward facing bolts securing sump to bell housing.
13. Remove 4 rear facing bolts securing sump to bell housing.
14. Remove 2 bolts in sump recess.
15. Remove 3 nuts securing front of sump.

ENGINE - V8

16. Remove 12 bolts securing sump flange to engine.
17. Manoeuvre sump over front axle and remove sump.
18. Discard sump gasket.

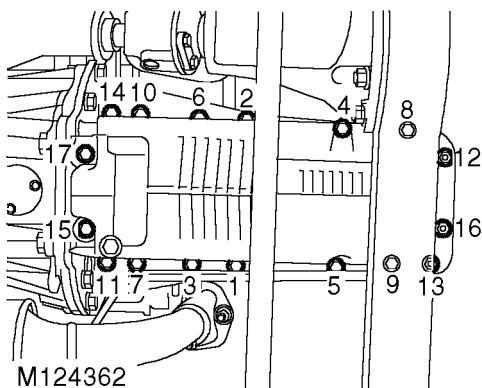
Refit

1. Clean all traces of sealant from the sump and sump mating faces using a plastic scraper or solvent.
2. Ensure bolt holes in cylinder block are clean and dry.



M12 4669

3. Apply a 5 mm (0.2 in) wide bead of sealant, Part No. STC 50550, across the cylinder block to front cover joint and across the cylinder block to rear main bearing joint. Apply a globule of sealant to cover the ends of the cruciform seals, (see illustration).
4. Fit new gasket, dry, to sump, ensuring that locating tags are correctly positioned.
5. Manoeuvre sump into position, fit and lightly tighten 2 bolts to retain sump in place, then fit and lightly tighten remainder of bolts.



M124362

6. Working in the sequence illustrated, tighten the sump bolts to 22 Nm (16 lbf.ft).
7. Position side clip bracket, fit and tighten bolt.

8. Position oil cooler pipe clips, fit and tighten nuts.
9. Clean gearbox oil cooler pipe 'O' ring recess and mating face.
10. Lubricate and fit new 'O' ring to gearbox oil cooler pipe.
11. Position pipe and tighten nut.
12. Lower front of vehicle.
13. Position cross member to chassis, fit bolts and tighten to 25 Nm (18 lbf.ft).
14. Refill engine oil and fit dipstick.
15. Connect battery earth lead.
16. Fit battery cover and retain with fixings.