

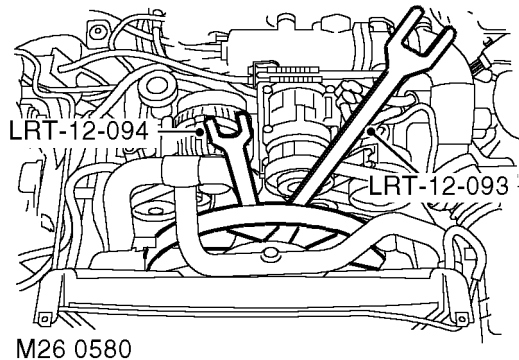


## Fan - viscous

🔑 26.25.19

### Remove

1. Release fixings and remove battery cover.
2. Disconnect battery earth lead.
3. Remove upper fan cowl.



4. Remove viscous fan using tool **LRT-12-093** and tool **LRT-12-094**.  
*RH thread.*

### Refit

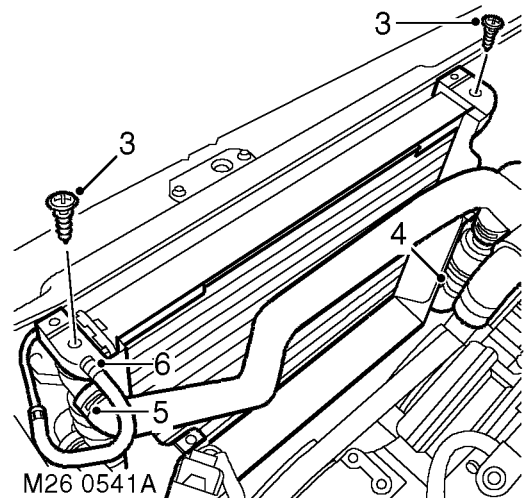
1. Position viscous fan and tighten using tool **LRT-12-093** and tool **LRT-12-094**.
2. Fit upper fan cowl.
3. Connect battery earth lead.
4. Fit battery cover and secure fixings.

## Radiator

🔑 26.40.01

### Remove

1. Remove viscous fan.  
👉 **COOLING SYSTEM - V8, REPAIRS, Fan - viscous.**
2. Drain cooling system.  
👉 **COOLING SYSTEM - V8, ADJUSTMENTS, Drain and refill.**



3. Remove 2 screws and remove lower of fan cowl.
4. Release clip and disconnect bottom hose from thermostat housing.
5. Release clip and disconnect top hose from radiator.
6. Remove clip and disconnect bleed hose from radiator.
7. Remove front grille.  
👉 **EXTERIOR FITTINGS, REPAIRS, Grille - front - up to 03MY.**