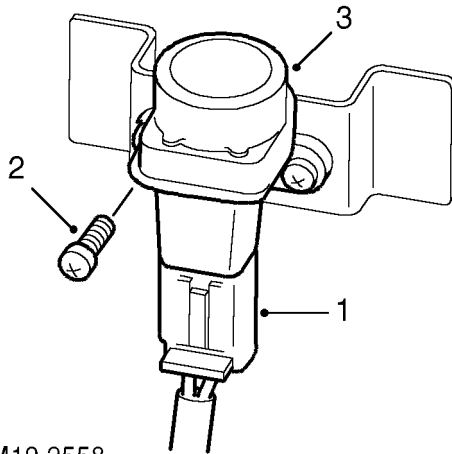




Switch - inertia - fuel cut-off

➤ 19.22.09

Remove



M19 2558

1. Disconnect multiplug from fuel cut-off switch.
2. Remove 2 screws securing fuel cut-off switch to bulkhead.
3. Remove fuel cut-off switch from bulkhead.

Refit

1. Position fuel cut-off switch to bulkhead and secure with screws.
2. Connect multiplug to fuel cut-off switch.
3. To set the fuel cut-off switch, depress the top of the fuel cut-off switch.

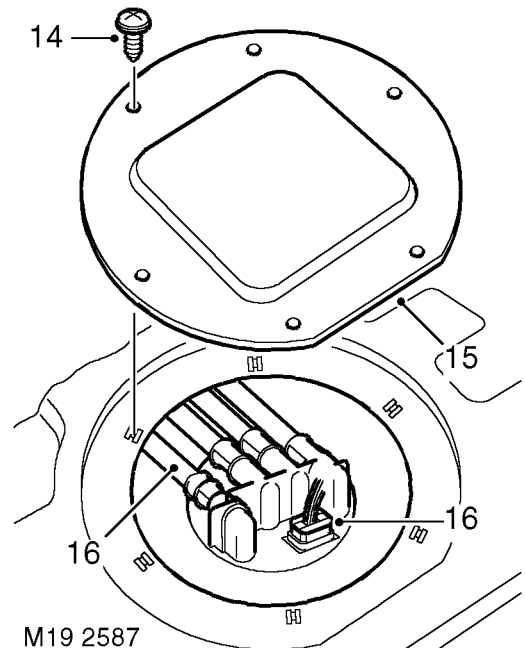
Pump - fuel

➤ 19.45.08

NOTE: The fuel pump and fuel gauge tank unit are integral parts of the fuel pump housing and cannot be renewed separately

Remove

1. Release fixings and remove battery cover.
2. Disconnect battery earth lead.
3. **Models with third row seats:** Remove RH third row seat.
 ➤ **SEATS, REPAIRS, Seat - third row.**
4. Remove right hand rear lower quarter trim casing.
 ➤ **INTERIOR TRIM COMPONENTS, REPAIRS, Trim casing - side - loadspace.**
5. **Models with third row seats:** Remove 4 screws securing third row seat latch finishers to body and finishers.
6. Release and remove screw cover from rear floor carpet finisher.



M19 2587

7. Remove 6 screws securing loadspace carpet finisher, remove finisher.
8. Release carpet and tie aside.