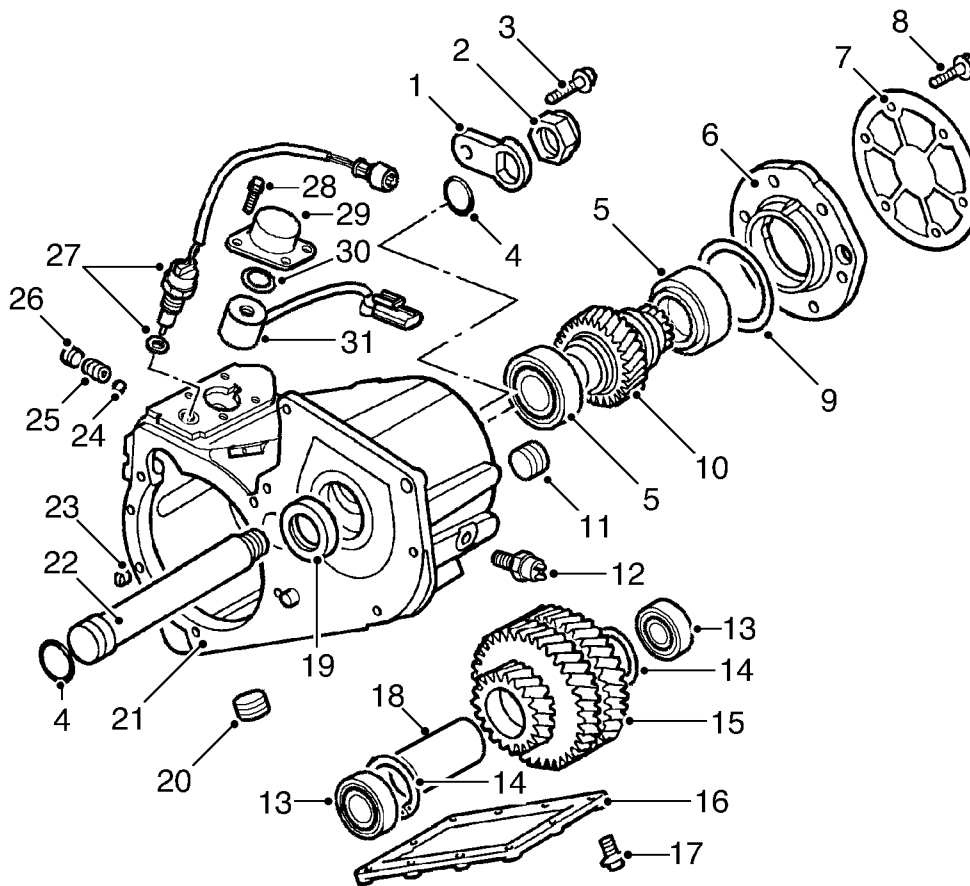


TRANSFER BOX - LT230SE

Main casing components – Vehicles up to 03 model year



M41 7424A

- | | | | |
|----|--|----|--|
| 1 | Retaining plate | 19 | Mainshaft oil seal |
| 2 | Stake nut - intermediate shaft | 20 | Oil drain plug |
| 3 | Bolt - retaining plate | 21 | Main casing |
| 4 | 'O' rings - intermediate shaft | 22 | Intermediate shaft |
| 5 | Bearings and outer tracks - mainshaft input gear | 23 | Locating dowel |
| 6 | Mainshaft input gear bearing housing | 24 | Detent ball - high/low selector |
| 7 | Cover plate | 25 | Detent spring - high/low selector |
| 8 | Bolt - cover plate | 26 | Detent plug - high/low selector |
| 9 | Selective shim | 27 | Neutral warning switch - Automatic gearbox only - North America and Japan |
| 10 | Mainshaft input gear | 28 | Bolt - interlock solenoid cover - Automatic gearbox only - North America and Japan |
| 11 | Oil filler/level plug | 29 | Cover - interlock solenoid - Automatic gearbox only - North America and Japan |
| 12 | Oil temperature switch - if fitted | 30 | Belleville washer - Automatic gearbox only - North America and Japan |
| 13 | Bearings and outer tracks - intermediate gears | 31 | Interlock solenoid - Automatic gearbox only - North America and Japan |
| 14 | Circlips | | |
| 15 | Intermediate gears | | |
| 16 | Bottom cover plate | | |
| 17 | Bolt - bottom cover plate | | |
| 18 | Selective spacer | | |