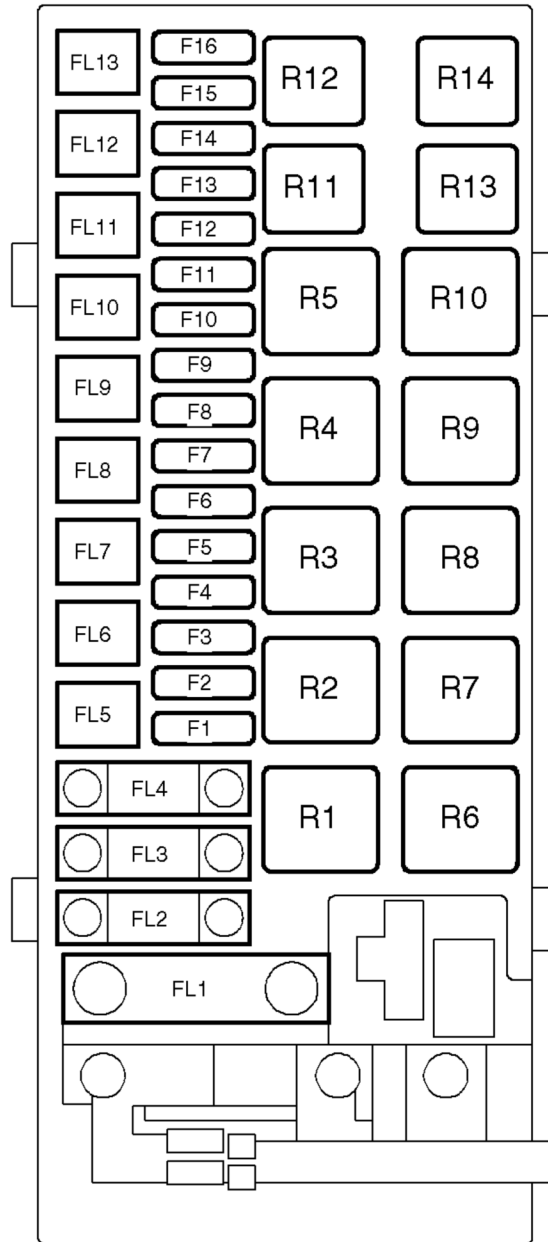


FUSE DETAILS

ENGINE COMPARTMENT FUSE BOX



M86 4472

Relays (R)

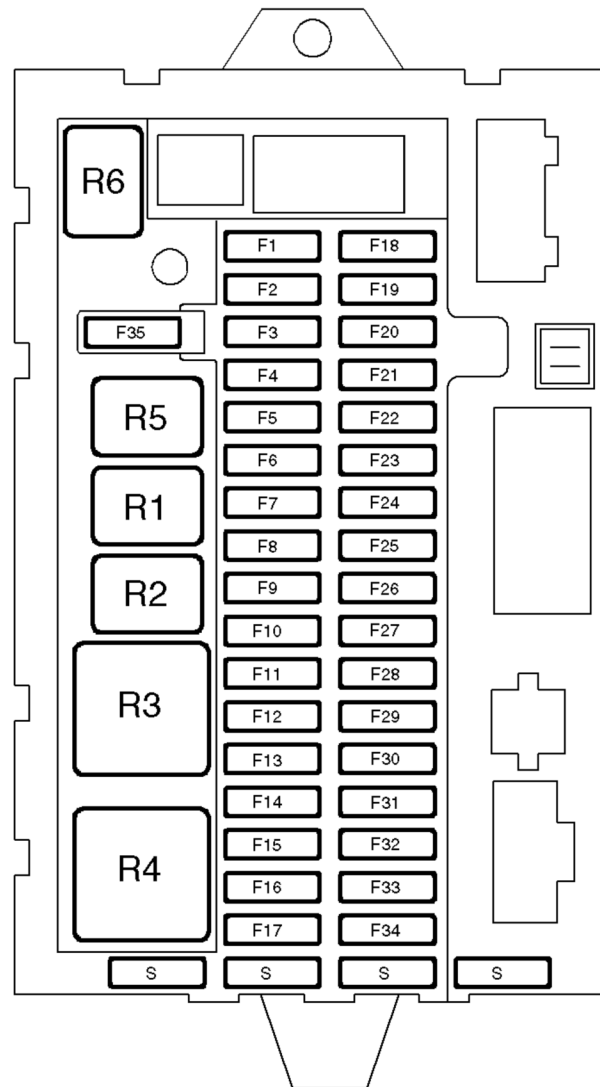
1. Fuel pump
2. Starter
3. Headlamp powerwash
4. Cooling fan
5. Self Levelling/ABS (SLABS)
6. Glowplugs - Diesel only
7. Auxiliary circuits
8. Heated Front Screen (HFS)
9. Main relay
10. Anti-lock Braking System (ABS)
11. Compressor clutch (A/C only)
12. Front fog lamps
13. Horns
14. Active Cornering Enhancement (ACE)

Link	Rating	Vehicle	Function
FL1	150 A	ALL	Fusible links 4, 5, 6 and 7, fuses 3, 4, 5, and 6 of the engine compartment fuse box, and the HFS relay.
FL2	100 A	Td5	Glow plug relay.
FL3	50 A	ALL	Fuses 1, 2, 20 and 21 of the passenger compartment fuse box.
FL4	100 A	ALL	Fuses 6 and 7 of the passenger compartment fuse box.
FL5	50 A	ALL	RH seat relay, LH seat relay, and fuse 34 of the passenger compartment fuse box.
FL6	50 A	ALL	Fuses 8, 12 and 13 of the passenger compartment fuse box.
FL7	30 A	ALL	Auxiliary relay and fuse 17 of the passenger compartment fuse box.
FL8	50 A	ALL	Ignition switch and the ignition relay.
FL9	30 A	ALL	SLABS relay.
FL10	40 A	ALL	Lighting switch, fuses 4 and 5 of the passenger compartment fuse box.
FL11	30 A	ALL	ABS return pump relay.
FL12	30 A	ALL	Starter relay.
FL13	30 A	ALL	Lighting switch.

FUSE DETAILS

Fuse	Rating	Vehicle	Function
F1	30 A	Td5	ECM
F1	30 A	V8	ECM, fuel injectors, IACV, idle suppressor solenoid.
F2	15 A	Td5	EGR modulator, EGR throttle, MAF sensor, RH front HO2S, RH rear HO2S, LH front HO2S, LH rear HO2S.
F2	15 A	V8	Purge control valve, CMP sensor, MAF sensor, RH front HO2S, RH rear HO2S, LH front HO2S, LH rear HO2S.
F3	15 A	All	Front fog lamp relay.
F4	20 A	All	Headlamp power wash relay.
F5	40 A	All	Cooling fan relay.
F6	10 A	All	A/C compressor clutch relay.
F7	40 A	All	LH HFS element.
F8	40 A	All	RH HFS element.
F9	30 A	Td5	FBH
F10	30 A	All	Fuel pump relay.
F11	30 A	All	SLABS ECU
F12	20 A	Td5	EAT ECU.
F12	20 A	V8	EAT ECU, ECM.
F13	10 A	All	Inertia switch, BCU, IDM, instrument pack.
F14	15 A	All	IDM
F15	15 A	All	ACE relay.
F16	10 A	All	Horn relay.

PASSENGER COMPARTMENT FUSE BOX



M86 4473A

Relays (R)

1. LH indicators
2. RH indicators
3. Rear window lift
4. Ignition coils - V8 only
5. Daylight running lamps - if fitted
6. Daylight running lamps - if fitted

FUSE DETAILS

Fuse	Rating	Vehicle	Function
F1	25 A	All	RH front door lock motor, LH front door lock motor, RH rear door lock motor, LH rear door lock motor, tail door lock motor.
F2	10 A	All	Fuel flap release switch.
F3	10 A	All	LH headlamp main beam bulb.
F4	10 A	All	Rear fog lamp switch, trailer socket, header 295.
F5	15 A	All	Daylight running lamp relay.
F6	25 A	All	Rear blower motor relay.
F7	30 A	All	Blower motor relay.
F8	30 A	All	HRW element, drivers door mirror, passenger door mirror.
F9	10 A	All	LH headlamp dipped beam bulb.
F10	10 A	All	RH headlamp dipped beam bulb.
F11	10 A	All	Header 286.
F12	30 A	All	Sunroof ECU.
F13	30 A	All	Rear window lift relay.
F14	20 A	V8	Ignition coils
F15	20 A	All	IDM, header 291, header 761.
F16	15 A	All	Radio/cassette player, aerial, PDC ECU.
F17	15 A	All	Audio system power amplifier.
F18	15 A	All	Rear screen wiper motor.
F19	15 A	All	Header 292, windscreen wash/wipe switch.
F20	15 A	All	Transponder coil, header 294, header 725.
F21	15 A	All	Header 292, header 293.
F22	10 A	All	RH headlamp main beam bulb.
F23	10 A	All	BCU, starter relay.
F24	10 A	Td5	EAT ECU, header 287.
F24	10 A	V8	Ignition relay, EAT ECU, ECM.
F25	15 A	All	Brake pedal switch.
F26	10 A	All	Auxiliary relay.
F27	10 A	All	Header 760.
F28	10 A	All	SLABS ECU.
F29	10 A	All	BCU, ACE ECU, IDM.
F30	20 A	Td5	Mirror switch.
F30	20 A	V8	Cruise control switch, mirror switch.
F31	10 A	All	Header 289, ATC ECU, fresh/recirculated air switch.
F32	25 A	All	Accessory socket.

FUSE DETAILS

Fuse	Rating	Vehicle	Function
F33	10 A	All	Header 290, header 759.
F34	30 A	All	BCU
F35	10 A	All	Instrument pack, SRS DCU.