

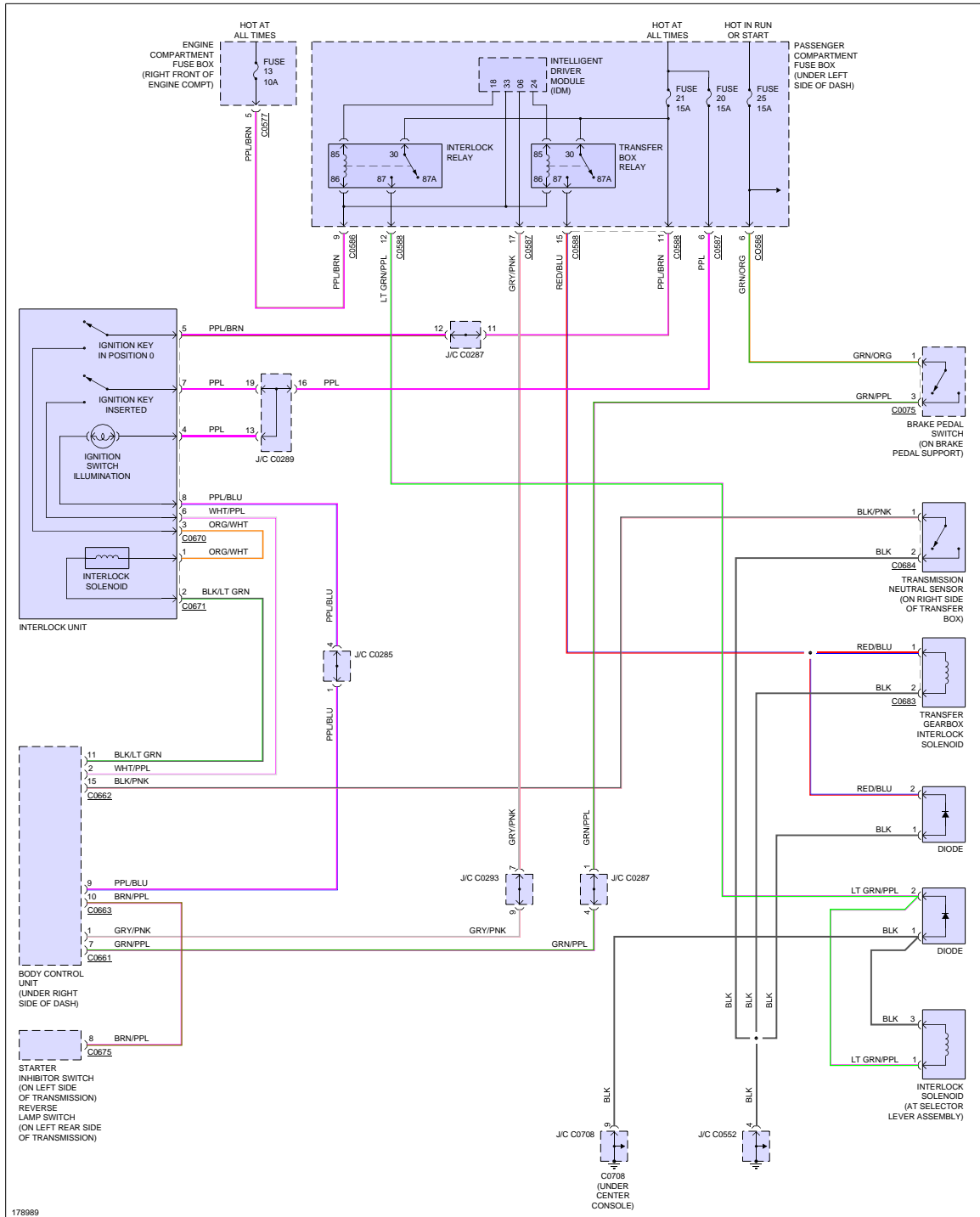
# SHOPKEY.PRO

## SYSTEM WIRING DIAGRAMS

### SHIFT INTERLOCK

## 2004 Land Rover Discovery 4.6L Eng SE

Fig 1: Shift Interlock Circuit



178989