

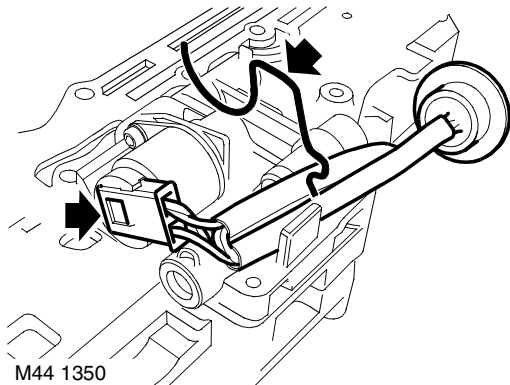


**Harness - solenoid valves**

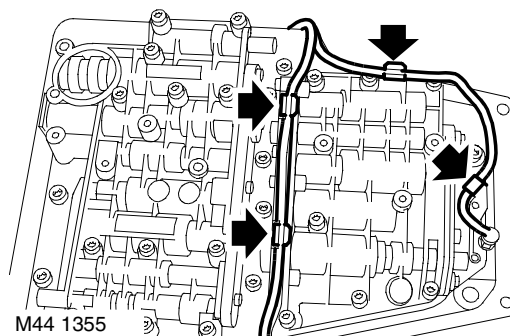
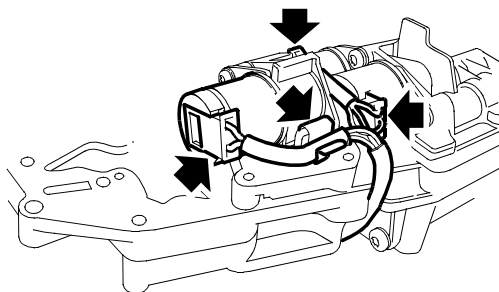
➤ 44.15.52

**Remove**

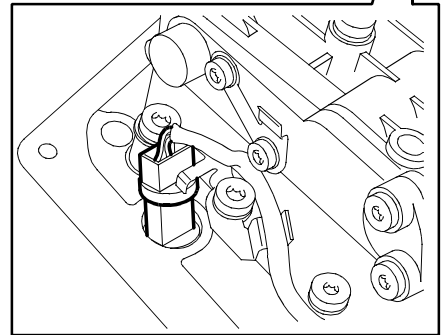
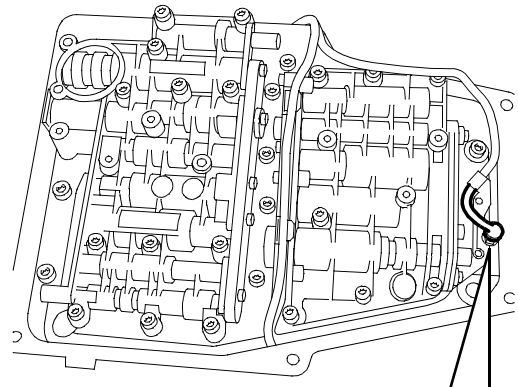
1. Remove valve body assembly.  
 ⓘ **AUTOMATIC GEARBOX - ZF4HP22 - 24, REPAIRS, Valve body assembly.**



2. Release and remove clip securing pressure regulator solenoid harness to valve body.
3. Disconnect multiplug from pressure regulator solenoid valve.



4. Disconnect multiplugs from lock-up solenoid valve, shift control solenoid valves MV 1 and MV 2.
5. Release harness from 5 clips on valve body and remove harness.



6. Disconnect and remove speed sensor from harness.

**Refit**

1. Connect speed sensor to harness multiplug.
2. Position harness to valve body.
3. Connect multiplugs to shift control solenoid valves MV 1 and MV 2 and lock-up solenoid valve.
4. Connect multiplug to pressure regulator solenoid valve and secure solenoid valve harness with clip to valve body.
5. Position and secure harness in clips on valve body.
6. Fit valve body assembly.  
 ⓘ **AUTOMATIC GEARBOX - ZF4HP22 - 24, REPAIRS, Valve body assembly.**