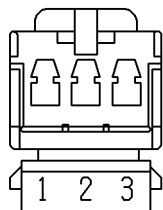


Description: *Switch-Brake pedal - LHD*

Location: *Under LH side of fascia*

Cav	Col	Cct
1	GO	ALL
2	OG	ALL
2	PG	ALL
3	GP	ALL



YPC10227

Colour: *WHITE*

Gender: *Female*



---

## Switch - brake light

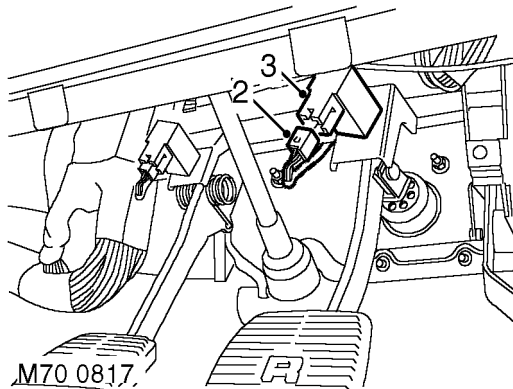
---

🔑 70.35.42

The brake switch is set automatically during fitment. If the setting is disturbed, the switch can be reset by depressing the brake pedal and pulling the plunger out of the switch body, until it contacts the pedal.

### Remove

1. Remove 3 fasteners and move drivers side lower closing panel aside.



2. Disconnect multiplug from brake light switch.
3. Remove brake light switch from pedal bracket.

### Refit

1. Engage switch fully into pedal bracket location and connect multiplug.
2. Position lower closing panel and secure with fasteners.