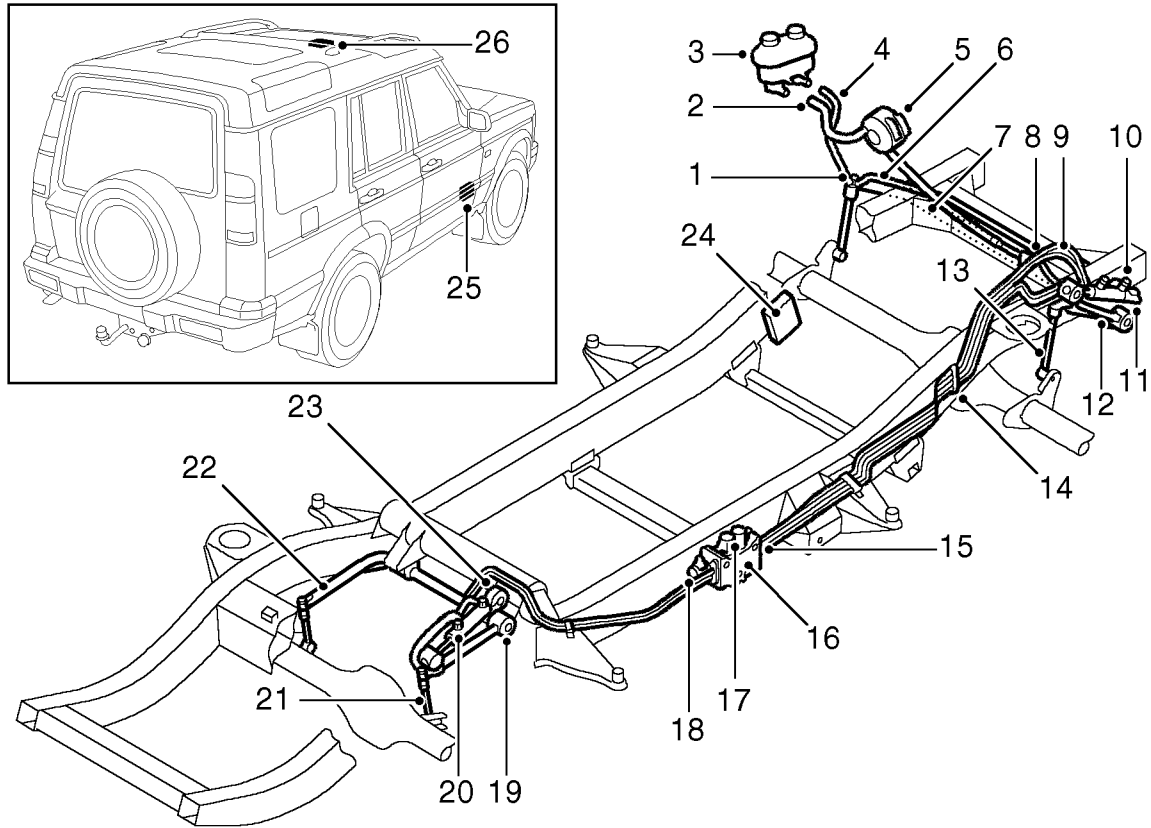


ACE system component layout



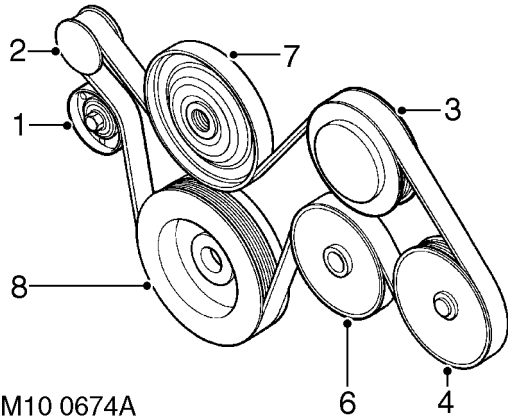
M60 0588A

- | | |
|---|--|
| <ul style="list-style-type: none"> 1 Anti-roll bar link 2 Suction hose 3 ACE/PAS reservoir 4 Return pipe 5 ACE pump 6 Pressure pipe 7 Torsion bar - front 8 Actuator hose 9 Actuator hose 10 Actuator 11 Short arm 12 Long arm 13 Anti-roll bar link | <ul style="list-style-type: none"> 14 Isolator and bracket (2 and 4 way) 7 off 15 Pressure transducer 16 Valve block 17 Directional control valve 2 off 18 Pressure control valve 19 Long arm 20 Actuator 21 Anti-roll bar link 22 Torsion bar - rear 23 Short arm 24 ACE ECU 25 Accelerometer - lower 26 Accelerometer - upper |
|---|--|



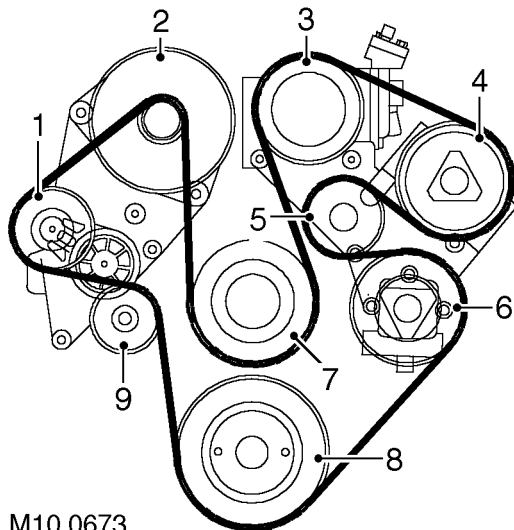
Auxiliary drive belt

Check



M10 0674A

TD5 auxiliary belt



M10 0673

V8 auxiliary belt

- 1 Tensioner pulley
- 2 Alternator
- 3 A/C compressor
- 4 ACE pump
- 5 Idler pulley - V8 only
- 6 PAS pump
- 7 Viscous fan pulley
- 8 Crankshaft pulley
- 9 Idler pulley - V8 only

1. Check auxiliary drive belt for signs of splits, fraying, oil contamination and wear.

Auxiliary drive belt - V8 engine

1. Replace auxiliary drive belt.
CHARGING AND STARTING, REPAIRS, Belt - auxiliary drive.

Auxiliary drive belt - diesel engine

Replace

1. Replace auxiliary drive belt.
CHARGING AND STARTING, REPAIRS, Belt - auxiliary drive.