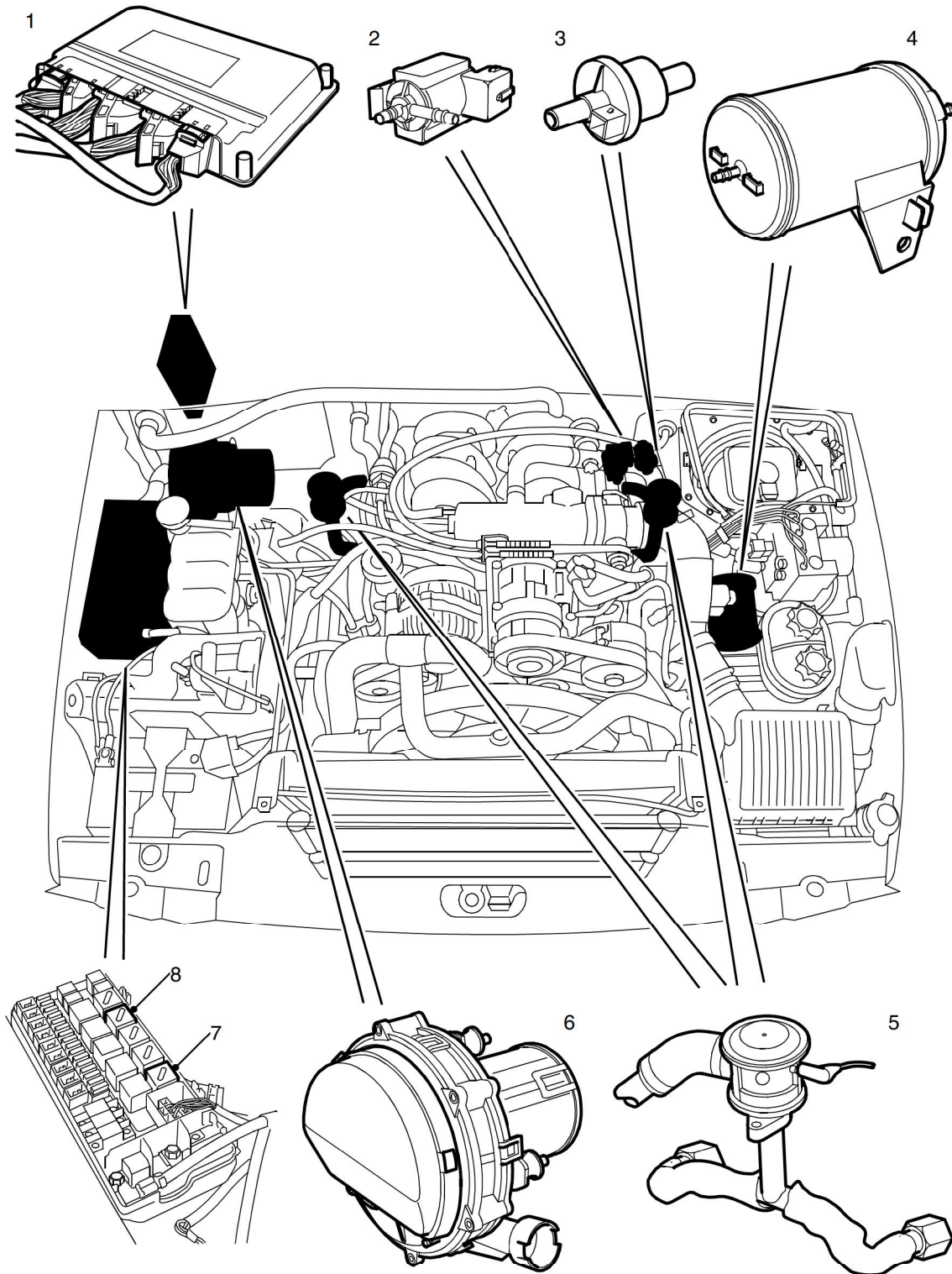


Secondary air injection system  
component layout



M17 0206