

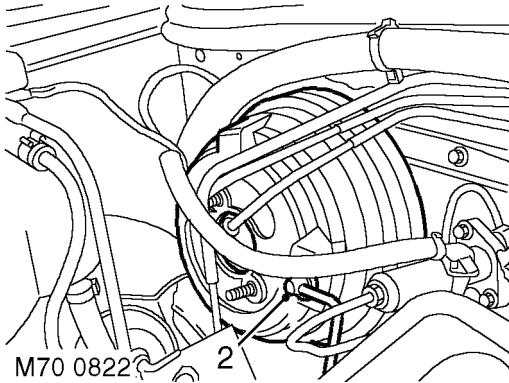
BRAKES

Servo - brake

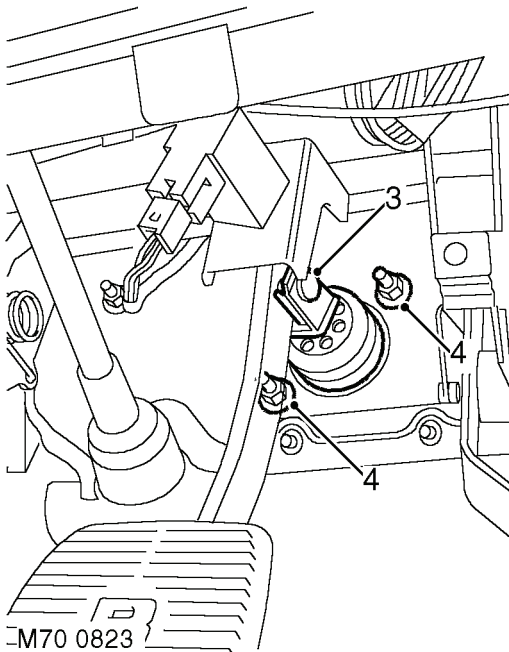
➔ 70.50.01

Remove

1. Remove brake master cylinder.
👉 **BRAKES, REPAIRS, Master cylinder - brake.**



2. Disconnect vacuum pipe from servo.



3. Release spring clip securing servo push-rod to brake pedal and release pedal.
4. Remove 2 flanged nuts securing servo to bulkhead.
5. Remove brake servo.

Refit

1. Clean servo and mating faces,
2. Position servo and tighten nuts to 25 Nm (18 lbf. ft).
3. Position brake pedal to servo push-rod and secure with spring clip.
4. Connect vacuum pipe to servo.
5. Fit brake master cylinder.
👉 **BRAKES, REPAIRS, Master cylinder - brake.**