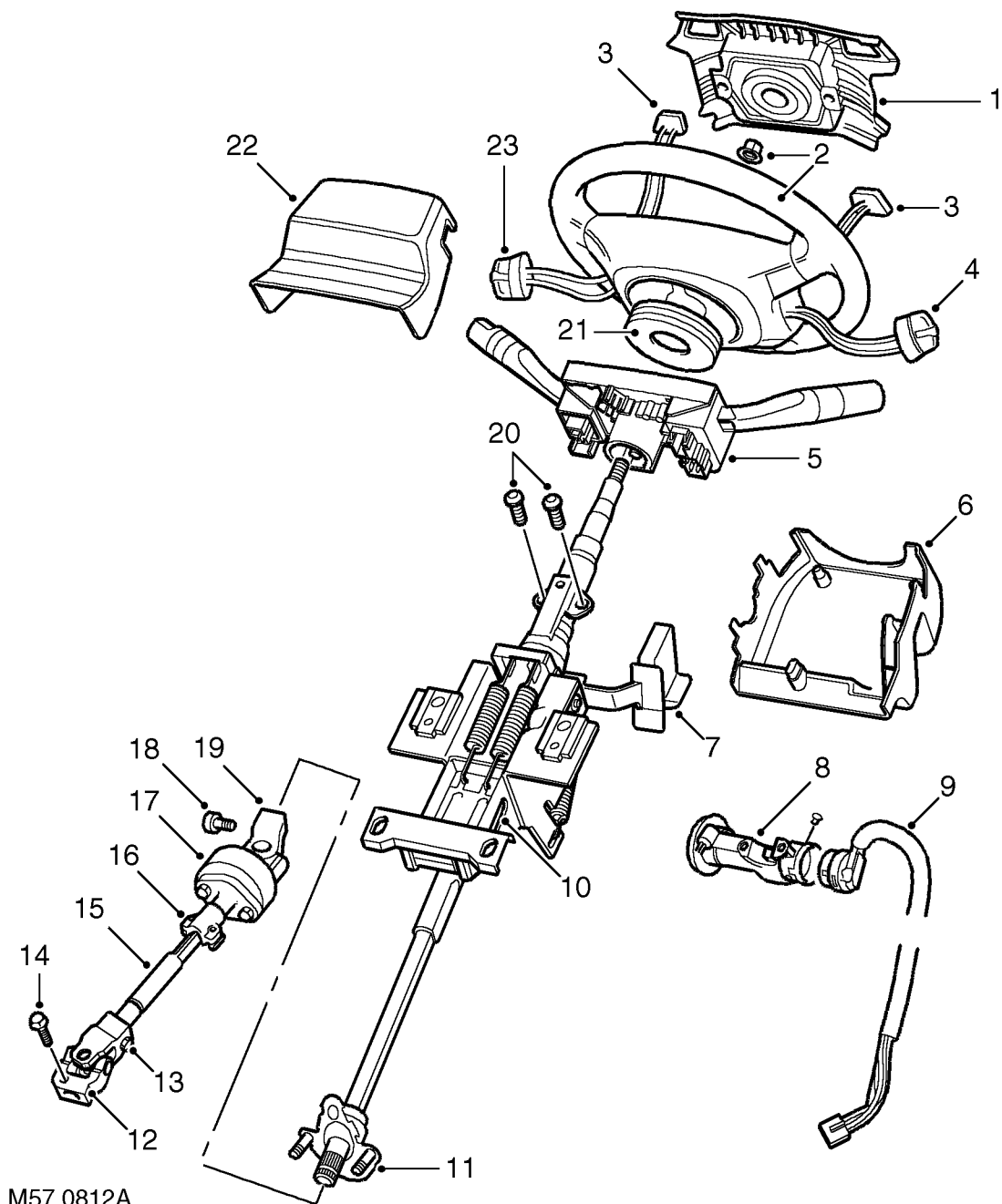


STEERING

Steering column assembly and intermediate shaft





-
- | | |
|--|---|
| 1 Air bag module | 13 Bolt |
| 2 Steering wheel and nut | 14 Bolt |
| 3 Horn switch 2 off | 15 Intermediate shaft assembly |
| 4 Radio remote control switch (if fitted) | 16 Decouple joint |
| 5 Column switches | 17 Rubber coupling and heat shield |
| 6 Lower nacelle | 18 Bolt |
| 7 Column tilt adjustment lever | 19 Universal joint |
| 8 Steering column lock | 20 Shear bolt 2 off |
| 9 Ignition switch and harness | 21 Rotary coupler |
| 10 Upper column assembly | 22 Upper nacelle |
| 11 Lower column | 23 Cruise control switch (if fitted) |
| 12 Universal joint | |