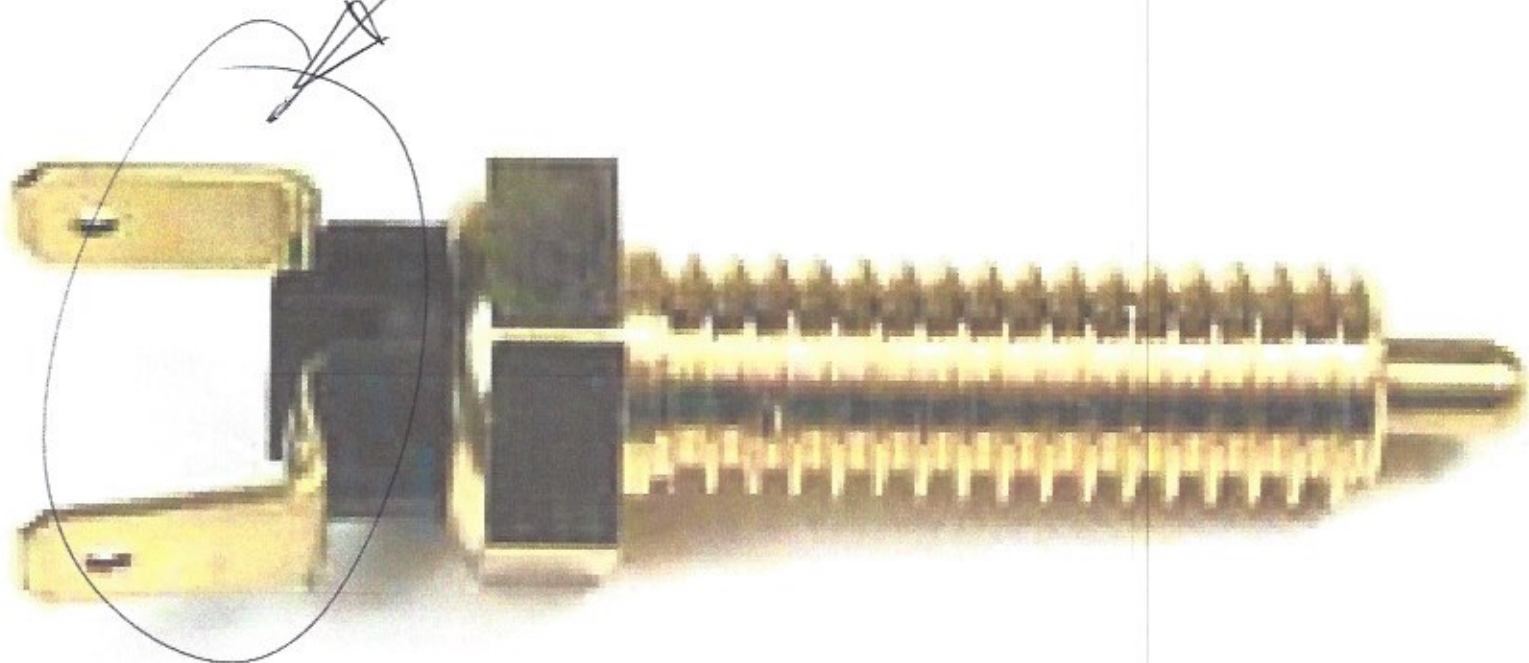


Pre-2001 Transfer Case

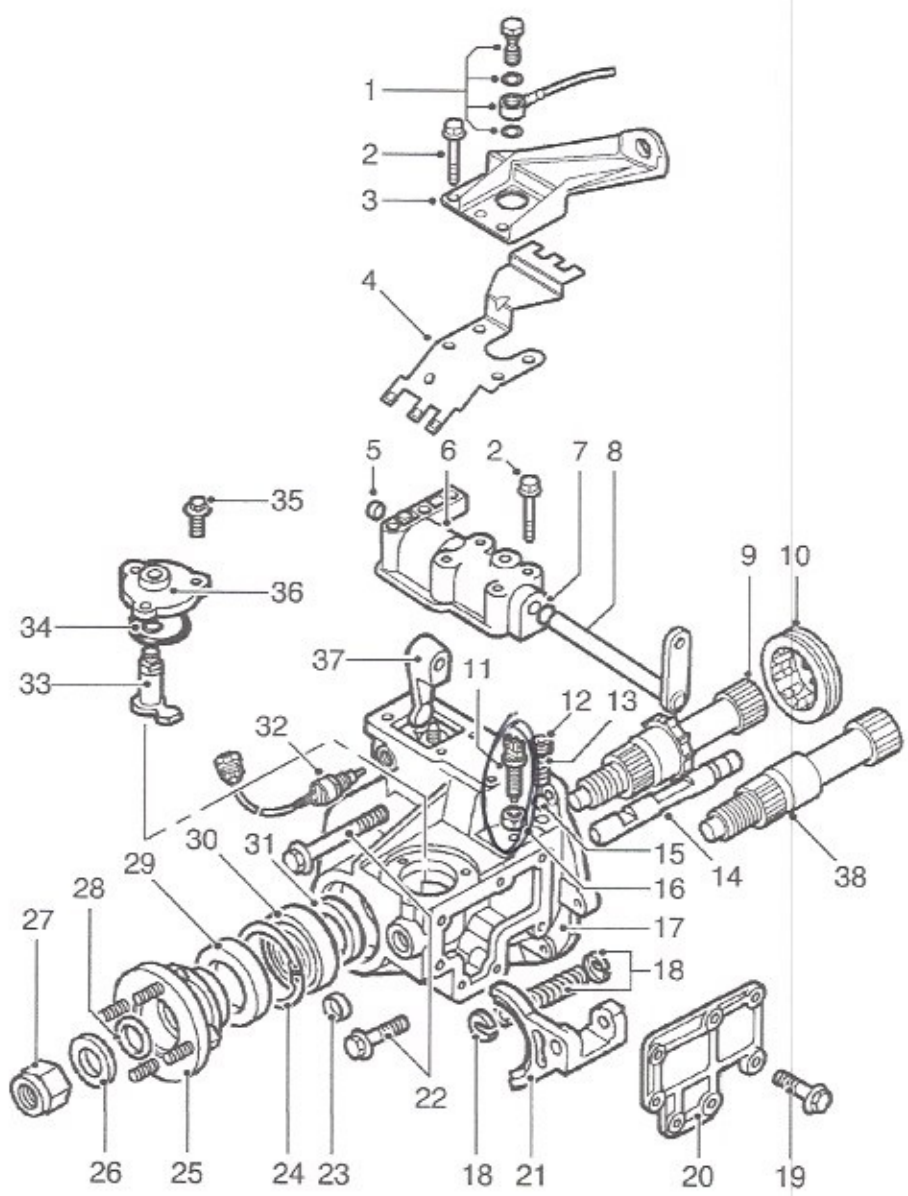
2-prong



Pre-2001 Transfer Case

TRANSFER BOX - LT230SE

Front output housing components -
Vehicles up to 03 model year



M41 7807

Per RAUB =

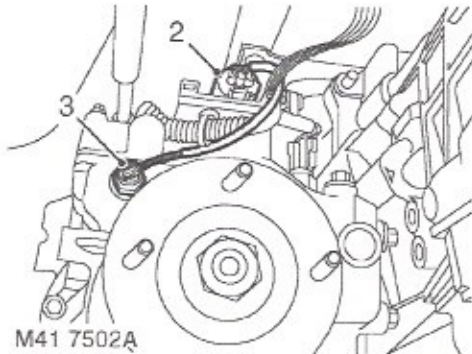
- #11 → Diff lock warning lamp switch (two prong type part # PRC 29(1))
- #12 → Diff lock detent spring

Switch - high low - warning

➤ 41.30.05

Remove

1. Raise vehicle on a ramp.



M41 7502A

2. Release switch multiplug from bracket on transfer box and disconnect from harness.
3. Remove switch from transfer box and discard sealing washer.


Refit

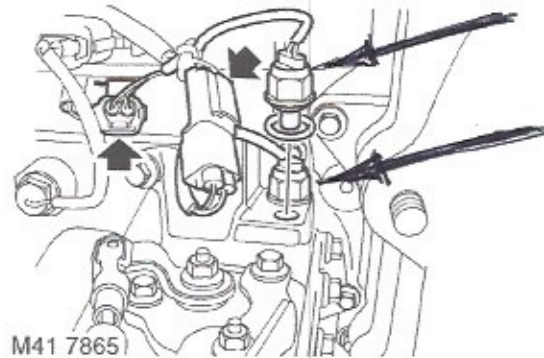
1. Ensure sealing washer, switch thread and mating face on transfer box is clean.
2. Fit sealing washer to switch, fit and tighten switch to transfer box to 25 Nm (18 lbf.ft).
3. Connect multiplug to harness and fit multiplug to bracket on transfer box.
4. Lower vehicle.

**Switch(es) - differential lock warning
From 03 MY**

➤ 41.30.06

Remove


1. Remove front propeller shaft.
 **PROPELLER SHAFTS, REPAIRS,
Propeller shaft - front.**



M41 7865

2. Release and disconnect both differential lock warning switch multiplugs.
3. Remove differential lock front warning switch, remove and discard sealing washer.
4. Remove differential lock rear warning switch, remove and discard sealing washer.

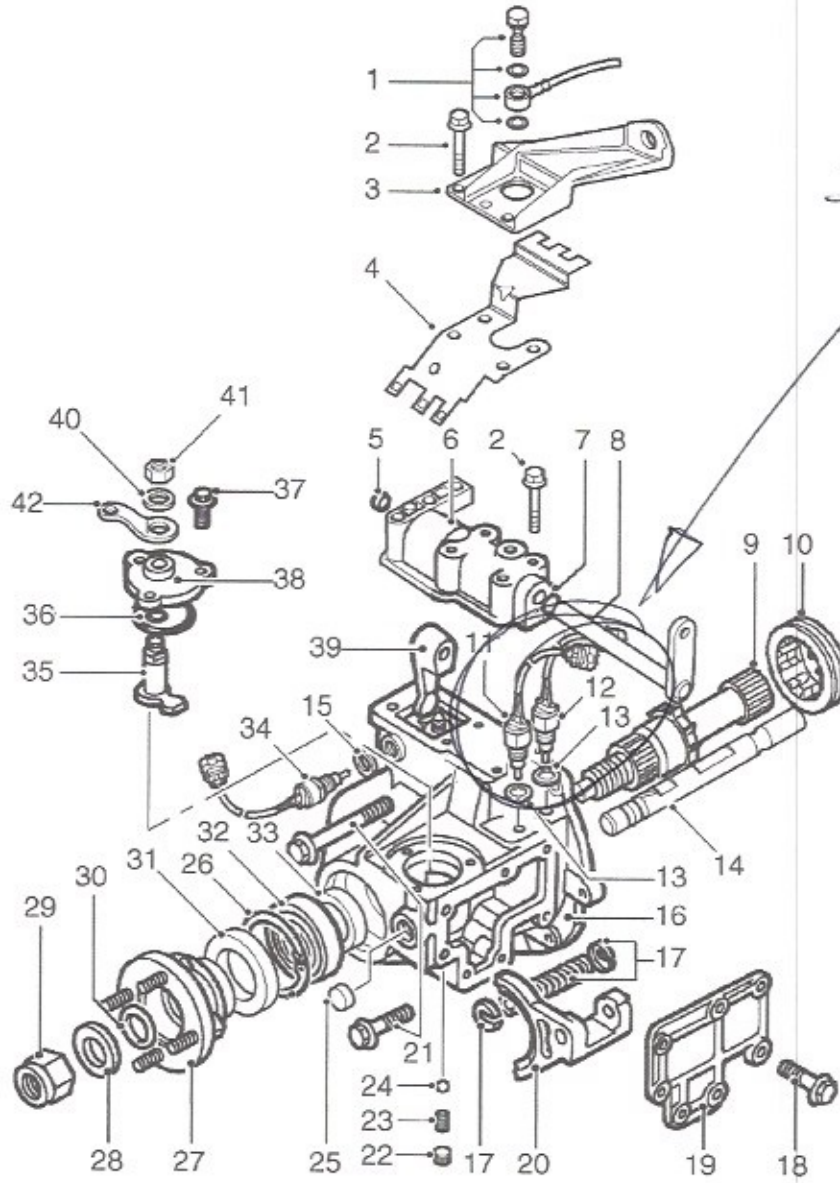
Refit

1. Clean switches and mating face on transfer gearbox.
2. Apply sealant, STC 50552 to switch threads.
3. Use new sealing washers, fit and tighten differential lock warning switches to 26 Nm (19 lbf.ft)
4. Connect and secure both switch multiplugs.
5. Fit front propeller shaft.
 **PROPELLER SHAFTS, REPAIRS,
Propeller shaft - front.**

TRANSFER BOX - LT230SE

Front output housing components -
Vehicles from 03 model year

2004 Transfer Case



M41 7872