

ZF 3HP22, 4HP22H, EH & A

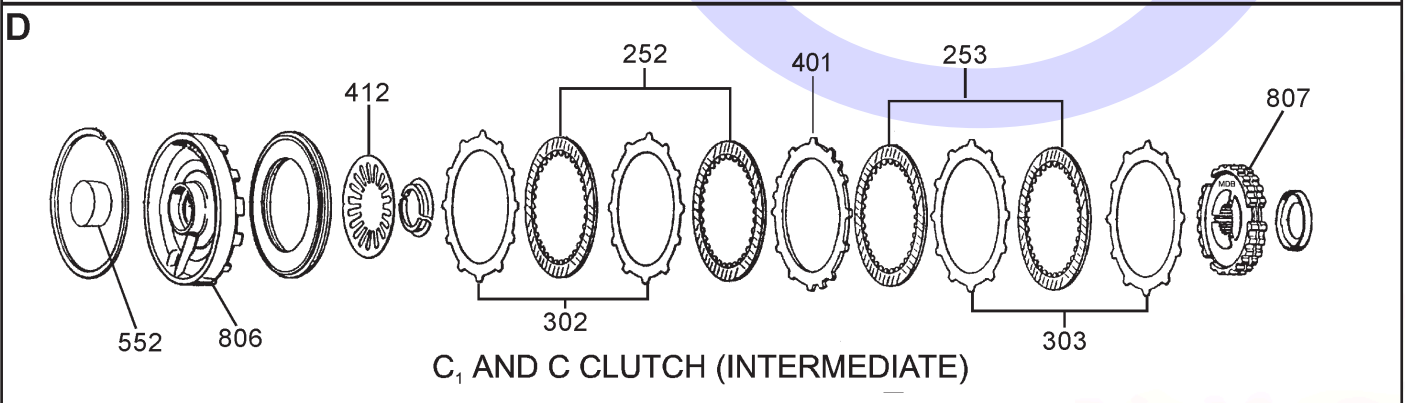
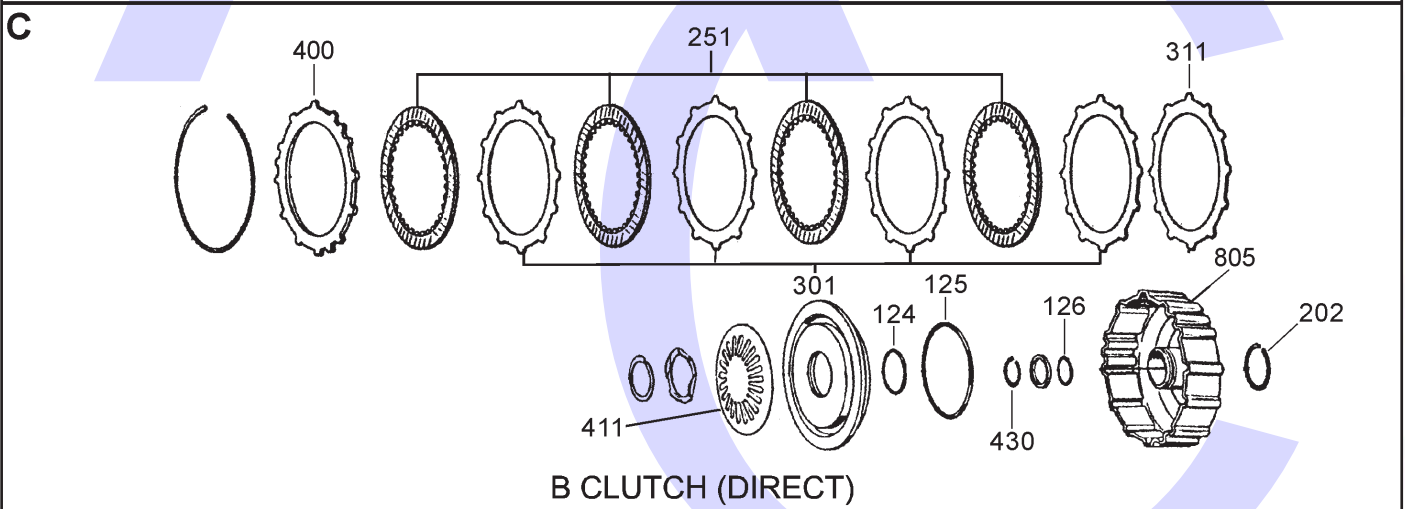
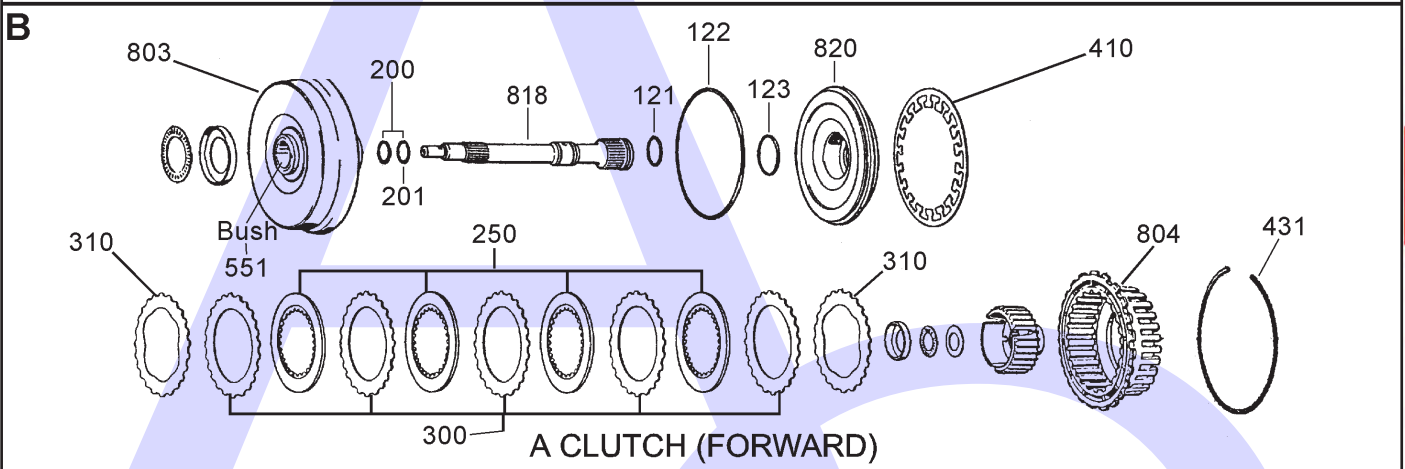
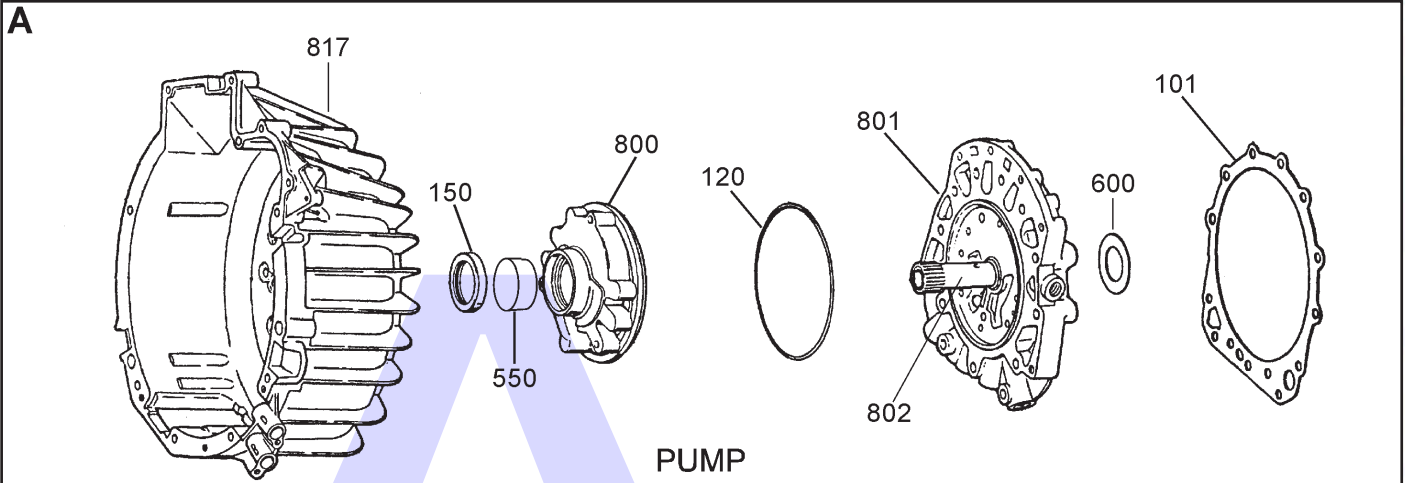
3 & 4 SPEED FWD, RWD & 4WD (Hydraulic & Electronic Control)



AUTOMATIC CHOICE



THE AUTOMATIC TRANSMISSION PARTS WAREHOUSE



ZF 3HP22, 4HP22H, EH & A

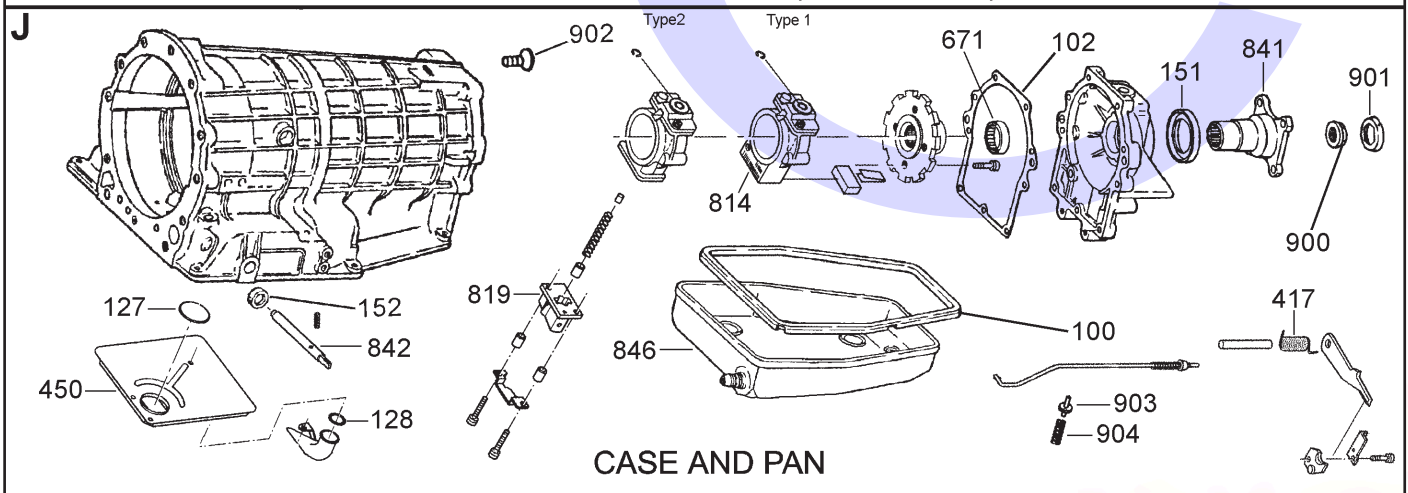
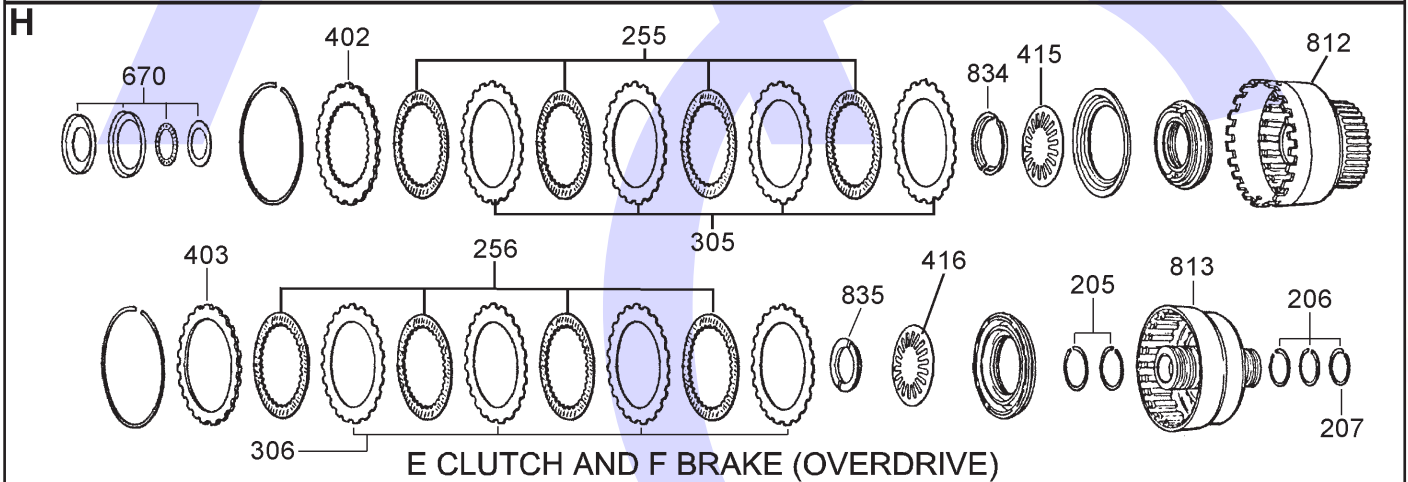
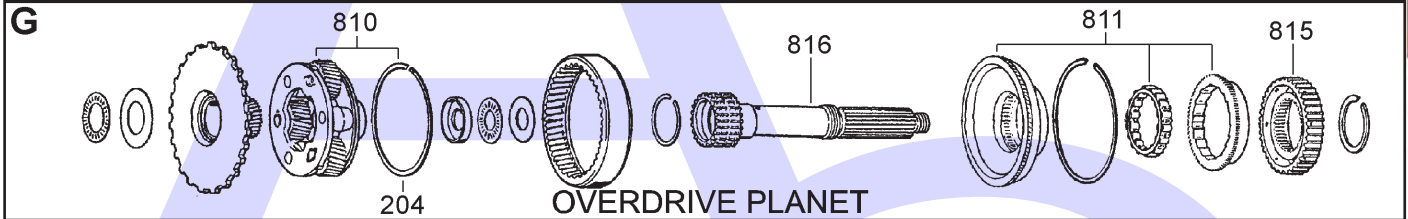
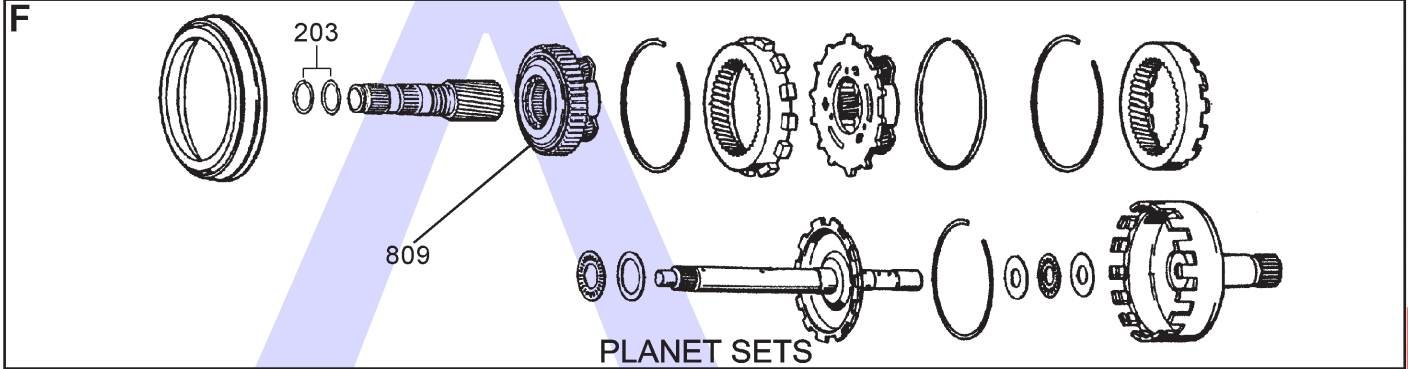
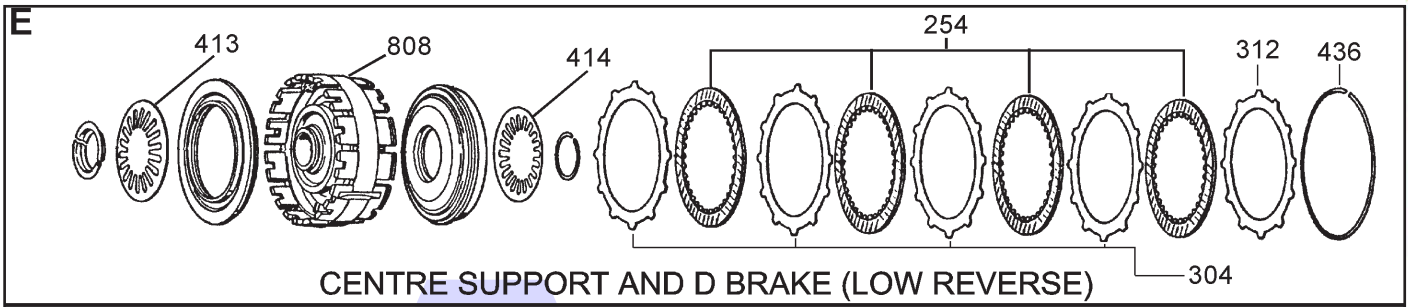
3 & 4 SPEED FWD, RWD & 4WD (Hydraulic & Electronic Control)



AUTOMATIC CHOICE



THE AUTOMATIC TRANSMISSION PARTS WAREHOUSE



ZF 3HP22, 4HP22H, EH & A

3 & 4 SPEED FWD, RWD & 4WD (Hydraulic & Electronic Control)



AUTOMATIC CHOICE



THE AUTOMATIC TRANSMISSION PARTS WAREHOUSE

ILL NO.	DESCRIPTION	YEARS	QTY	PART NO
KITS				
Kit	Overhaul Kit 3HP22 (Transtec) (BMW, Peugeot, Fiat).....	75-ON	1	3HP22.OHK01
Kit	Overhaul Kit 3HP22 (Precision) (BMW, Peugeot, Fiat).....	75-ON	1	3HP22.OHK51
Kit	Overhaul Kit 3HP22 (OEM) (BMW).....	75-ON	1	3HP22.OHK03
Kit	Overhaul Kit 3HP22 (Citroen FWD).....	75-ON	1	NLA
Kit	Overhaul Kit 4HP22H/EH (Transtec).....	83-ON	1	4HP22.OHK03
Kit	Overhaul Kit 4HP22H/EH (Precision).....	83-ON	1	4HP22.OHK51
Kit	Overhaul Kit 4HP22H (OEM) (BMW, Peugeot, Volvo, Jaguar).....	83-ON	1	4HP22.OHK02
Kit	Overhaul Kit 4HP22EH (OEM) (BMW, Jaguar).....	87-ON	1	4HP22.OHK05
Kit	Overhaul Kit 4HP22H (OEM) (Land/Range Rover).....	83-ON	1	4HP22.OHK04
Kit	Overhaul Kit 4HP22EH (OEM) (Land/Range Rover).....	94-ON	1	4HP22.OHK06
Kit	Clutch Kit, 'A' Clutch (POWERPACK™ Alto).....	83-ON	1	4HP22.CK51
GASKETS				
100J	Pan Gasket (3HP22).....	75-ON	1	3HP22.GAS01
100J	Pan Gasket (4HP22).....	83-ON	1	4HP22.GAS01
NI	Stator to Case (3HP22).....	75-ON	1	3HP22.GAS04
101A	Stator to Case (4HP22).....	83-ON	1	4HP22.GAS02
101A	Stator to Case (4HP22 OEM) ...	83-ON	1	4HP22.GAS22
102J	Extension Housing (4HP22).....	83-ON	1	4HP22.GAS03
NI	Valve Body Cover (3HP22) (Citroen FWD).....	75-ON	1	3HP22.GAS02
NI	Side Cover (3HP22) (Citroen FWD).....	75-ON	1	3HP22.GAS03
NI	Valve Body Gasket (3HP22) (Citroen FWD).....	75-ON	1	3HP22.GAS05
NI	Filter Gasket (3HP22 RWD).....	75-ON	1	3HP22.GAS06
NI	Bell Housing Gasket (3HP22) (Citroen FWD).....	75-ON	1	3HP22.GAS08
NI	Valve Body Gasket (4HP22H) (Box Code Required).....	83-ON	1	4HP22.GAS04
NI	Valve Body Gasket (4HP22H) (Box Code Required).....	83-ON	1	4HP22.GAS05
NI	Valve Body Gasket (4HP22EH) (Box Code Required).....	87-ON	1	4HP22.GAS06
NI	Valve Body Gasket (4HP22EH) (Box Code Required).....	87-ON	1	4HP22.GAS07
NI	Valve Body Gasket (4HP22EH) (Box Code Required).....	94-ON	1	4HP22.GAS08
RUBBER COMPONENTS				
120A	Pump 'O' Ring.....	75-ON	1	4HP22.OR03
121B	Input Shaft 'O' Ring.....	83-ON	1	4HP22.OR14
122B	'A' Clutch Outer 'O' Ring.....	83-ON	1	4HP22.OR01
123B	'A' Clutch Inner 'O' Ring.....	83-ON	1	4HP22.OR12
124C	'B' Clutch Inner 'O' Ring.....	83-ON	1	4HP22.OR12
125C	'B' Clutch Outer 'O' Ring.....	83-ON	1	4HP22.OR06
125C	'B' Clutch Outer 'O' Ring Codes: 1043 010 152, 153, 161, 209, 325, 327, 328, 344,388, 390, 415, 416, 608, 610, 694,713, 740, 765, 767, 773)	83-ON	1	5HP19.OR09
126C	'B' Clutch to Sun Shaft 'O' Ring.....	83-ON	1	4HP22.OR14
127J	Filter to Valve Body 'O' Ring.....	83-ON	1	4HP22.OR11
128J	Lower Spout 'O' Ring (L.Rov) ...	83-ON	1	4HP22.OR19
NI	'F' Brake Outer 'O' Ring.....	83-ON	1	4HP22.OR04

ILL NO.	DESCRIPTION	YEARS	QTY	PART NO
RUBBER COMPONENTS Cont...				
NI	'F' Brake Inner 'O' Ring.....	83-ON	1	4HP22.OR07
NI	'C1' Brake Inner 'O' Ring.....	83-ON	1	4HP22.OR05
NI	Output Shaft 'O' Ring.....	83-ON	1	4HP22.OR15
NI	'D' Brake Cushion Rubber (Some Models).....	85-ON	1	4HP22.CUS01
NI	V. Body to Case Seal 3HP22	75-ON	4	4HP22.RUB01
NI	V. Body to Case Seal 4HP22	83-ON	8	4HP22.RUB01
NI	V. Body to Case Seal Angled ...	83-ON	1	4HP22.RUB02
NI	Angled Rubber Spacer Kit.....	83-ON	1	4HP22.RK01
NI	Rubber Spacer & Clip Kit (For Valve Body).....	83-ON	1	4HP22.RK02
METAL CLAD SEALS				
150A	Front Pump Body (OEM).....	75-ON	1	3HP22.MCS01
150A	Front Pump Body (AM).....	75-ON	1	3HP22.MCS51
151J	Extension Housing (OEM).....	75-ON	1	3HP22.MCS02
151J	Extension Housing (AM).....	75-ON	1	3HP22.MCS52
152J	Selector Shaft.....	75-ON	1	3HP22.MCS03
NI	Differential 3HP22 FWD.....	75-ON	2	3HP22.MCS04
NI	Transfer Case Range Rover.....	85-94	2	TF8.MCS05
NI	Transfer Case Range Rover Later Chain Driven Unit (70mm OD x 48mm ID).....	94-ON	2	4HP22.MCS06
SEALING RINGS				
Kit	Sealing Ring Kit 3HP22.....	75-ON	1	3HP22.SRK01
Kit	Sealing Ring Kit 4HP22.....	85-ON	1	4HP22.SRK01
Kit	Sealing Ring Kit 4HP22 (With Teflon Modification).....	85-ON	1	4HP22.SRK02
200B	Input Shaft (Metal OEM).....	85-ON	2	4HP22.SSR01
201B	Input Shaft Rear (Teflon*).....	85-ON	1	4HP22.SSR08
202C	'B' Clutch Drum (OEM).....	85-ON	1	4HP22.SSR02
203F	Sun Gear Shaft (OEM).....	85-ON	2	4HP22.SSR03
204G	Planetary Set (OEM).....	85-ON	1	4HP22.SSR07
205H	'F' Brake to 'E' Clutch (OEM) ...	85-ON	2	4HP22.SSR04
206H	'F' Brake to Governor Assy (Rubber OEM).....	85-ON	3	4HP22.SSR06
207H	'F' Brake to Park Ring (Metal) (EH Models Only).....	87-ON	1	4HP20.SSR02
* See ATSG Bullitin 91-70				
FRICITION PLATES				
Kit	Friction Plate (3HP22) (Alto).....	75-84	1	3HP22.FRK51
Kit	Friction Plate (4HP22) (48 Tooth 'D' Frictions).....	83-ON	1	4HP22.FRK01
Kit	Friction Plate (4HP22) (58 Tooth 'D' Frictions).....	83-ON	1	4HP22.FRK02
Kit	Friction Plate (4HP22) (Alto).....	83-ON	1	4HP22.FRK51
250B	'A' Clutch (Forward).....	75-ON	4-6	3HP22.FRP21
250B	'A' Clutch (Forward) (Alto).....	75-ON	4-6	3HP22.FRP51
251C	'B' Clutch (Third & Reverse).....	75-ON	3-4	3HP22.FRP22
251C	'B' Clutch (Third & Rev) (Alto) ...	75-ON	3-4	3HP22.FRP52
252D	'C1' Brake (Intermediate & Overrun).....	75-ON	2	3HP22.FRP22
252D	'C1' Brake (Intermediate & Overrun) (Alto).....	75-ON	2	3HP22.FRP52
253D	'C' Brake (Intermediate).....	75-ON	2	3HP22.FRP22
253D	'C' Brake (Intermediate) (Alto)...	75-ON	2	3HP22.FRP52
254E	'D' Brake.....	75-ON	4-6	3HP22.FRP23
254E	'D' Brake (Alto).....	75-ON	4-6	3HP22.FRP53
254E	'D' Brake (58 Teeth Following Box Codes Only) (1043 010 728, 739, 740, 747, 748, 749, 759, 760, 761, 762, 763, 764, 765, 766, 767, 768, 769, 770, 771, 773, 774)	75-ON	5	4HP24.FRP22
255H	'E' Clutch (Overdrive Clutch).....	83-ON	3-4	4HP22.FRP11
256H	'F' Brake (Overdrive Brake).....	83-ON	3-4	4HP22.FRP11

ZF 3HP22, 4HP22H, EH & A

3 & 4 SPEED FWD, RWD & 4WD (Hydraulic & Electronic Control)



AUTOMATIC CHOICE



THE AUTOMATIC TRANSMISSION PARTS WAREHOUSE

ILL NO.	DESCRIPTION	YEARS	QTY	PART NO
STEEL PLATES				
Kit	Steel Plate (3HP22) (Alto).....	75-84	1	3HP22.STK51
Kit	Steel Plate (4HP22)	83-ON	1	4HP22.STK01
Kit	Steel Plate (4HP22) (Alto).....	83-ON	1	4HP22.STK51
300B	'A' Clutch Selective (2.10mm) ...	75-ON	AR	3HP22.STP08
300B	'A' Clutch Selective (1.80mm) ...	75-ON	AR	3HP22.STP02
300B	'A' Clutch Selective (1.50mm) ...	75-ON	AR	3HP22.STP06
300B	'A' Clutch Selective (1.20mm) ...	75-ON	AR	3HP22.STP09
301C	'B' Clutch Selective (2.10mm) ...	75-ON	AR	3HP22.STP04
301C	'B' Clutch Selective (1.80mm) ...	75-ON	AR	3HP22.STP03
301C	'B' Clutch Selective (1.50mm) ...	75-ON	AR	3HP22.STP05
301C	'B' Clutch Selective (1.20mm) ...	75-ON	AR	4HP22.STP03
302D	'C1' Brake Selective (2.10mm) ..	75-ON	AR	3HP22.STP04
302D	'C1' Brake Selective (1.80mm) ..	75-ON	AR	3HP22.STP03
302D	'C1' Brake Selective (1.50mm) ..	75-ON	AR	3HP22.STP05
302D	'C1' Brake Selective (1.20mm) ..	75-ON	AR	4HP22.STP03
303D	'C' Brake Selective (2.10mm)	75-ON	AR	3HP22.STP04
303D	'C' Brake Selective (1.80mm)	75-ON	AR	3HP22.STP03
303D	'C' Brake Selective (1.50mm)	75-ON	AR	3HP22.STP05
303D	'C' Brake Selective (1.20mm)	75-ON	AR	4HP22.STP03
304E	'D' Brake Selective (2.10mm)	75-ON	AR	3HP22.STP04
304E	'D' Brake Selective (1.80mm)	75-ON	AR	3HP22.STP03
304E	'D' Brake Selective (1.50mm)	75-ON	AR	3HP22.STP05
304E	'D' Brake Selective (1.20mm)	75-ON	AR	4HP22.STP03
304E	'D' Brake (1.20mm) (Following Box Codes Only)			
	(1043 010 728, 739, 740, 747, 748, 749, 759, 760, 761, 762, 763, 764, 765, 766, 767, 768, 769, 770, 771, 773, 774)			
	75-ON	5	4HP24.STP01
305H	'E' Clutch (1.50mm).....	83-ON	4-5	4HP22.STP02
306H	'F' Brake (2.00mm).....	83-ON	3-4	4HP22.STP01
310B	'A' Clutch Waved (1.00mm).....	75-ON	2	3HP22.STP01
310B	'A' Clutch Waved (1.60mm).....	75-ON	2	3HP22.STP07
311C	'B' Clutch Waved.....	83-ON	1	4HP22.STP06
312E	'D' Brake Selective (1.20mm)			
	(Following Box Codes Only)			
	(1043 010 728, 739, 740, 747, 748, 749, 759, 760, 761, 762, 763, 764, 765, 766, 767, 768, 769, 770, 771, 773, 774)			
	75-ON	AR	4HP24.STP01
312E	'D' Brake Selective (1.50mm)			
	(Following Box Codes Only)			
	(1043 010 728, 739, 740, 747, 748, 749, 759, 760, 761, 762, 763, 764, 765, 766, 767, 768, 769, 770, 771, 773, 774)			
	75-ON	AR	4HP24.STP02
312E	'D' Brake Selective (1.80mm)			
	(Following Box Codes Only)			
	(1043 010 728, 739, 740, 747, 748, 749, 759, 760, 761, 762, 763, 764, 765, 766, 767, 768, 769, 770, 771, 773, 774)			
	75-ON	AR	4HP24.STP03
312E	'D' Brake Selective (2.10mm)			
	(Following Box Codes Only)			
	(1043 010 728, 739, 740, 747, 748, 749, 759, 760, 761, 762, 763, 764, 765, 766, 767, 768, 769, 770, 771, 773, 774)			
	75-ON	AR	4HP24.STP04
PRESSURE PLATES				
400C	'B' Clutch (4.50mm).....	83-ON	1	4HP22.PP02
400C	'B' Clutch (4.50mm) (Alto)	83-ON	1	4HP22.PP07
401D	'C' Brake (4.00mm)	83-ON	1	4HP22.PP03
401D	'C' Brake (4.50mm)	83-ON	1	4HP22.PP02
401D	'C' Brake (4.50mm) (Alto).....	83-ON	1	4HP22.PP07
402H	'E' Clutch	83-ON	1	4HP22.PP05
403H	'F' Brake	83-ON	1	4HP22.PP06
SPRINGS & CIRCLIPS				
410B	'A' Clutch Diaphragm Spring	83-ON	1	4HP22.DIA01
411C	'B' Clutch Diaphragm Spring	83-ON	1	4HP22.DIA05
412C	'C1' Brake Diaphragm Spring	83-ON	1	4HP22.DIA06

ILL NO.	DESCRIPTION	YEARS	QTY	PART NO
SPRINGS & CIRCLIPS Cont...				
413E	'C' Brake Diaphragm Spring.....	83-ON	1	4HP22.DIA06
414E	'D' Brake Diaphragm Spring.....	83-ON	1	4HP22.DIA03
415H	'E' Clutch Diaphragm Spring	83-ON	1	4HP22.DIA04
416H	'F' Brake Diaphragm Spring	83-ON	1	4HP22.DIA02
417J	Spring, Parking Pawl Return.....	83-ON	1	4HP22.SPR12
430C	Circlip 'B' Clutch to Sun Shaft ...	83-ON	1	4HP22.CIR01
431B	Circlip 'A' Clutch Retaining.....	83-ON	1	4HP22.CIR02
436E	Wire Circlip 'D' Clutch	83-ON	1	4HP22.CIR06
NI	Circlip Case sealing Rubber			
	Compression Spring	83-ON	8	4HP22.CIR03
FILTERS				
NI	Filter 3HP22	75-ON	1	3HP22.FIL01
NI	Filter 3HP22 Citroen FWD	75-ON	1	3HP22.FIL02
450J	Filter 4HP22	83-ON	1	4HP22.FIL01
450J	Filter 4HP22 (OEM)	83-ON	1	4HP22.FIL11
450J	Filter 4HP22			
	(Range Rover/DAF)	83-ON	1	4HP22.FIL02
450J	Filter 4HP22 (OEM)			
	(Range Rover/DAF)	83-ON	1	4HP22.FIL12
450J	Filter 4HP22 (With Spout)	86-ON	1	4HP22.FIL03
450J	Filter Porsche 911	90-ON	1	4HP22.FIL04
450J	Filter Pinzgauer Code 485	90-ON	1	4HP22.FIL05
BUSHINGS				
550A	Front Pump Body Bush			
	(13mm Wide)	75-ON	1	3HP22.BUS01
550A	Front Pump Body Bush			
	(17mm Wide)	94-ON	1	4HP22.BUS01
551B	'A' Clutch Housing.....	75-ON	1	4HP18.BUS01
552D	C1 Clutch Housing.....	75-ON	1	4HP18.BUS01
NI	Centre Support.....	75-ON	1	4HP18.BUS01
NI	Governor Support	75-ON	1	4HP18.BUS01
THRUST WASHERS & BEARINGS				
600A	Pump Washer, Selective 4HP22			
	(1.20mm).....	83-ON	1	4HP22.THW02
	(1.40mm).....	83-ON	1	4HP22.THW03
670H	Bearing Kit, 'E' Clutch			
	to Overdrive OWC.....	83-ON	1	4HP22.TK07
671J	Bearing, Extension Housing			
	(35mm x 42mm x 12mm)	83-ON	1	4HP22.BE10
ELECTRICAL COMPONENTS				
NI	Shift Solenoid (E7 Electronics)			
	(Early 5 Solenoid V. Body)	87-ON	4	4HP22.SOL01
NI	Shift Solenoid (E9 Electronics)			
	(Late 4 Solenoid V. Body)	89-ON	3	5HP18.SOL01
NI	Pressure Control Solenoid (OEM)			
	(E7 Electronics 5 Sol V. Body) ..	87-ON	1	4HP22.SOL02
NI	Pressure Control Solenoid (Fitzall)			
	(E7 Electronics 5 Sol V. Body) ..	87-ON	1	4HP22.SOL22
NI	Pressure Control Solenoid (0501 311 845, OEM)			
	(E9 Electronics 4 Sol V. Body) ..	89-ON	1	5HP18.SOL02
NI	Pressure Control Solenoid (0501 209 948, OEM)			
	(E9 Electronics 4 Sol V. Body) ..	89-ON	1	4HP22.SOL05
NI	Inductive Speed Sensor.....	87-ON	1	4HP22.ELE01
NI	Valve Body Loom			
	(E7 Electronics 5 Sol V. Body) ..	87-ON	1	4HP22.ELE02
NI	Valve Body Loom			
	(E9 Electronics 4 Sol V. Body) ..	87-ON	1	4HP22.ELE06
NI	Inhibitor Switch (Range Rover) ..	87-ON	1	4HP22.ELE03
NI	Range Switch (Range Rover Codes			
	1043 010 727, 728 & 759)	94-ON	1	4HP22.ELE04
NI	Range Switch (Range Rover Codes			
	1043 010 765, 766 & 773)	94-ON	1	4HP22.ELE05

ZF 3HP22, 4HP22H, EH & A

3 & 4 SPEED FWD, RWD & 4WD (Hydraulic & Electronic Control)



AUTOMATIC CHOICE



THE AUTOMATIC TRANSMISSION PARTS WAREHOUSE

ILL NO.	DESCRIPTION	YEARS	QTY	PART NO
VALVE BODY COMPONENTS				
Kit	Shift Correction Package (Hydraulic Units)	83-ON	1	4HP22.SK02
Kit	Shift Correction Package (Electronic Units).....	83-ON	1	4HP22.SK03
NI	Aluminum Tube 'U' Shape.....	83-ON	1	4HP22.TU01
NI	Valve Body Plastic Check Ball (6.50mm).....	75-ON	AR	4HP22.BALL01
NI	Valve Body Plastic Check Ball (4.50mm).....	75-ON	AR	4HP22.BALL02
NI	Encapsulated Plastic Ball Valve Fits in Rear of Lower Valve Body (4HP22H Codes 1043 010 151, 152, 153, 161, 175, 209, 257, 323, 324, 325, 326, 327, 328, 330, 344, 345, 346, 388, 389, 390, 391, 415, 416, 446, 492, 493, 494, 551, 608, 610, 624, 681, 697, 698, 700, 701, 702, 707, 712, 713, 745, 746, 749, 762, 772)	83-ON	1	4HP22.VA01
NI	Encapsulated Plastic Ball Valve Fits in Rear of Lower Valve Body (4HP22EH Codes 1043 010 290, 683, 684, 686, 687, 689, 695, 715, 716, 717, 723, 724, 727, 726, 728, 759, 763, 764, 765, 766, 767, 768, 769, 773)	83-ON	1	4HP22.VA01
NI	"C" Accumulator Spring (Volvo) (Codes; 1043 010 042, 151, 161, 171, 172, 246 & 279)	83-ON	1	4HP22.SPR07
NI	"C" Accumulator Spring (4HP22) (Codes; 1043 010 232, 283, 373, 415, 416, 421, 461, 462, 490, 502, 503, 507, 508, 512, 577, 639, 656, 658, 660, 683, 684, 689, 695, 717, 724, 726, 727, 728, 738, 746, 749, 759, 762, 763, 764, 765, 766, 767, 768, 769, 773)	83-ON	1	4HP14.SPR23
NI	"C" Accumulator Spring (4HP22EH) (Codes; 1043 010 091,286)	83-ON	1	4HP14.SPR24
NI	"C" Accumulator Spring (4HP22A) (Codes; 1043 020 011,019)	83-ON	1	4HP14.SPR23
NI	"C" Accumulator Spring (4HP22) (Codes; 1043 010 607, 739, 740, 741, 747, 760, 771)	83-ON	1	4HP14.SPR24
NI	"C" Accumulator Spring, Outer (Click here for Fitment List) (4HP22,EH,A)	83-ON	1	4HP22.SPR13
NI	"C" Accumulator Spring, Inner (Click here for Fitment List) (4HP22,EH,A)	83-ON	1	4HP22.SPR14
NI	"E" Accumulator Spring (Codes 1043 010 481, 722, 727, 728, 748, 759, 763, 764, 765, 766, 767, 768, 769, 773)	83-ON	1	4HP22.SPR11
HARD PARTS				
800A	Pump Body & Gears (Box Code Required)	83-ON	1	4HP22.PUM01
800A	Pump Body & Gears (Box Code Required)	83-ON	1	4HP22.PUM02
800A	Pump Body & Gears Box Codes: (1043 010 739, 770, 771 & 774).....	83-ON	1	4HP22.PUM02
801A	Stator Support (Reconditioned) (No Valve Core Required)	83-ON	1	4HP22.SUP01
801A	Stator Support (Reconditioned) (With Valve Core Required)	83-ON	1	4HP22.SUP02
801A	Stator Support Reconditioned (Large Cooler Union Late BMW) (Core Required)	83-ON	1	4HP22.SUP03
801A	Stator Support With Valve (New) (Box Code Required)	83-ON	1	4HP22.SUP12

ILL NO.	DESCRIPTION	YEARS	QTY	PART NO
HARD PARTS Cont...				
801A	Stator Support With Valve (New) (Box Code Required)	83-ON	1	4HP22.SUP13
802A	Stator Shaft Only.....	83-ON	1	4HP22.SSH01
803B	'A' Clutch Cylinder (Except Codes 1043 010 739, 770, 771, 772, 774)	83-ON	1	4HP22.DRU02
803B	'A' Clutch Cylinder (Codes 1043 010 739, 770, 771, 772, 774)	92-04	1	4HP22.DRU11
804B	'A' & 'B' Clutch Carrier.....	83-ON	1	4HP22.HUB01
805C	'B' Clutch Cylinder (4 Plate) (Box Code Required)	83-ON	1	4HP22.DRU06
805C	'B' Clutch Cylinder (4 Plate) (Box Code Required)	83-ON	1	4HP22.DRU09
806D	'C1' Clutch Housing.....	83-ON	1	4HP22.DRU01
807D	'C1' & 'C' Brake One Way Clutch Assy	83-ON	1	4HP22.OWC01
808E	Centre Support.....	83-ON	1	4HP22.DRU07
809F	Front Planet Assembly (3 Pinion with OWC Assy).....	83-ON	1	4HP22.PL03
809F	Front Planet Assembly (4 Pinion with OWC Assy).....	83-ON	1	4HP22.PL02
809F	Planetary Assembly (4 Pinion) (Fits Late Range Rover with 4HP24 Frictions)	87-ON	1	4HP24.PL02
810G	Over Drive Planet Assembly	83-ON	1	4HP22.PL01
811G	Over Drive One Way Clutch Assy (Late Units Box Code Required).....	87-ON	1	4HP22.OWC02
812H	'E' Clutch Cylinder.....	83-ON	1	4HP22.DRU04
812H	'E' Clutch Cylinder (Range Rover) (Codes 1043 010 317, 419, 464, 481, 485, 502, 507, 513, 531, 537, 556, 564, 575, 583, 591, 627, 630, 638, 640, 641, 642, 643, 644, 645, 662, 663, 664, 665, 683, 684, 686, 687, 689, 690, 691, 694, 695, 697, 698, 699, 700, 701, 702, 704, 709, 710, 712, 715, 716, 717, 722, 723, 724, 726, 727, 728, 738, 739, 740, 741, 742, 744, 745, 746, 747, 748, 749, 759, 760, 761, 762, 763, 764, 765, 766, 767, 768, 769, 770, 771, 772, 773, 774, 775, 776,	83-ON	1	4HP22.DRU10
812H	'E' Clutch Cylinder (4HP22A) (Codes 1043 020 019, 024)	83-ON	1	4HP22.DRU10
813H	'F' Brake Cylinder Hydraulic (4 Plate)	83-ON	1	4HP22.DRU03
813H	'F' Brake Cylinder Electronic (4 Plate).....	83-ON	1	4HP22.DRU05
814J	Governor Hub (Excluding Valve Assy) Single Governor	83-ON	1	4HP22.GOV01
814J	Governor Hub (Excluding Valve Assy) Double Governor.....	83-ON	1	4HP22.GOV02
815G	Splined Hub O.D. One Way Clutch (Late Units Box Code Required).....	87-ON	1	4HP22.HUB02
816G	Output Shaft (Peugeot Only) (Box Code Required)	83-ON	1	4HP22.SH01
816G	Output Shaft (L.R. Discovery) (Code 1043 010 744, 748, 766 & 773)	92-04	1	4HP22.SH03
817A	Bell Housing, (L.R. Discovery) (Code 1043 010 744, 748).....	92-04	1	4HP22.CAS01
817A	Bell Housing, (Land Rover) (Code 1043 010 766, 773).....	92-04	1	4HP22.CAS03
818B	Input Shaft.....	92-04	1	4HP22.SH04
819J	Housing, Governor Plunger (Codes: 1043 010 339, 340, 341, 344-346, 348, 351, 352, 354, 356, 358, 359, 383, 385, 388, 390, 399, 411, 415, 416, 419, 431, 443, 463-466, 468, 473, 485, 492- 494, 608, 610, 624, 627, 637, 681, 694, 698, 700- 702, 705, 708, 709, 713, 737, 744-746, 748, 749, 761, 762, 771, 772, 775,	92-04	1	4HP22.GOV14

