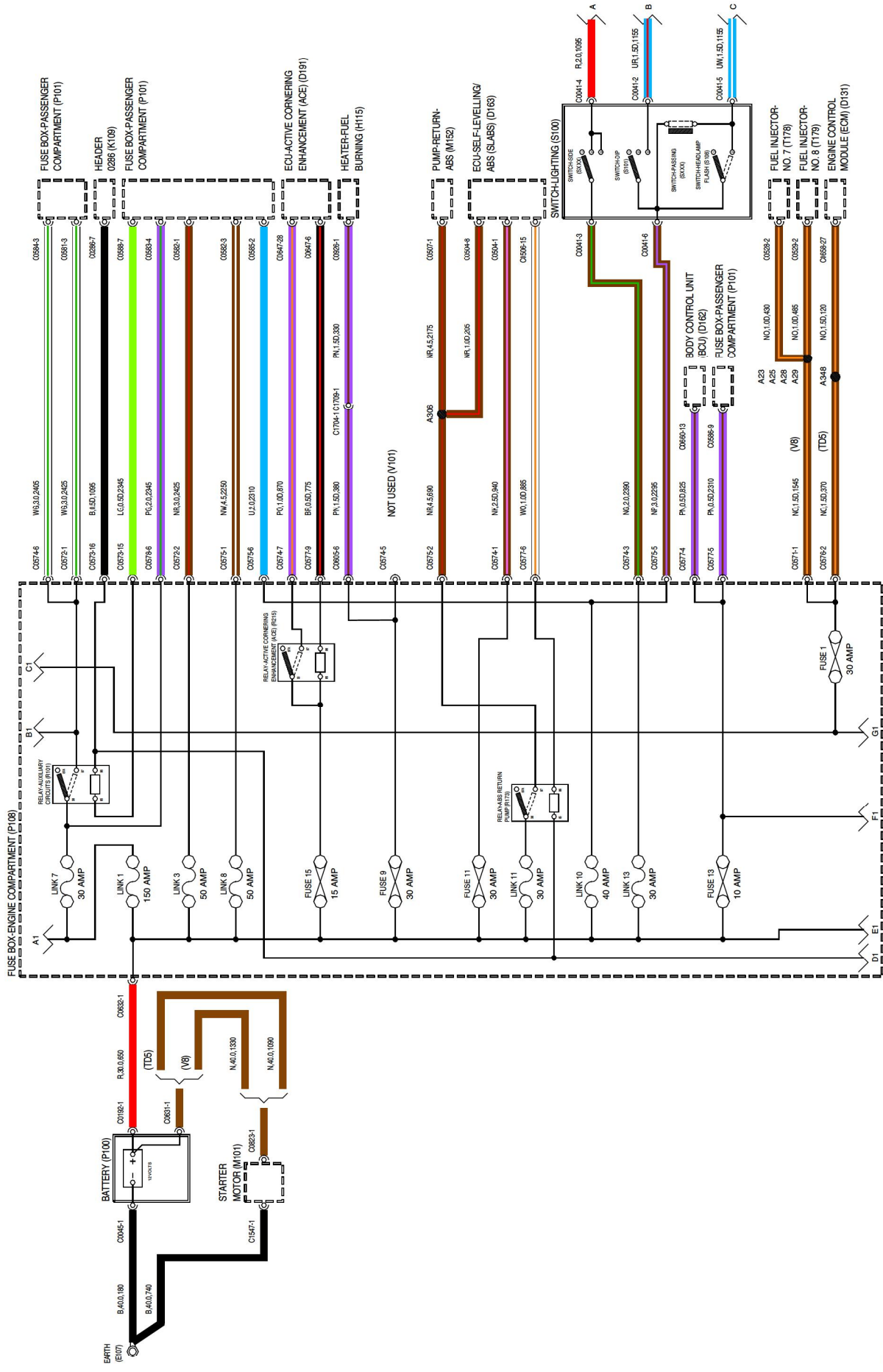


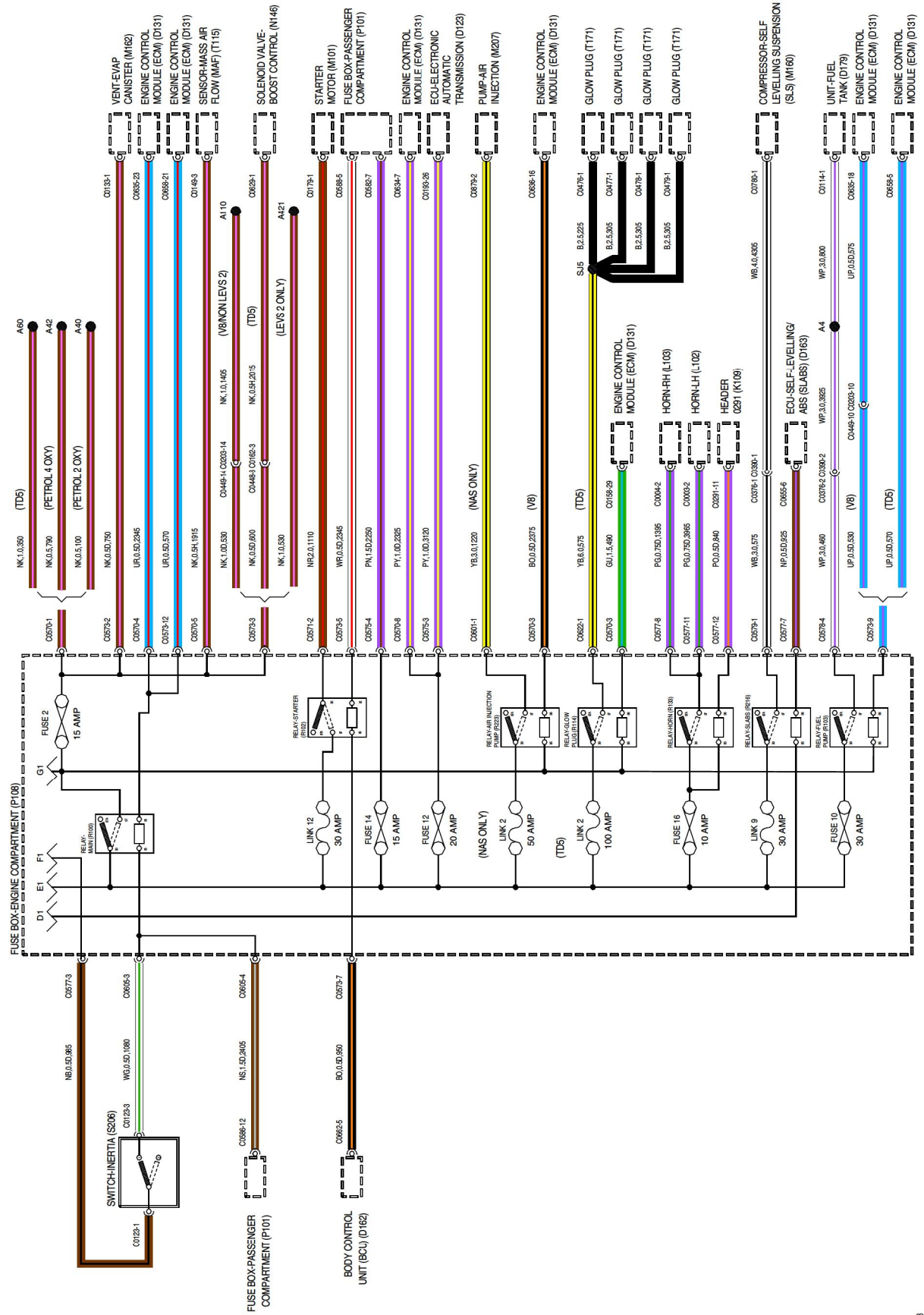
WRI1216-A-01



WPI02105-34-02

# 1 POWER DISTRIBUTION

## Engine Compartment Fuse Box



WMI02105-14-8