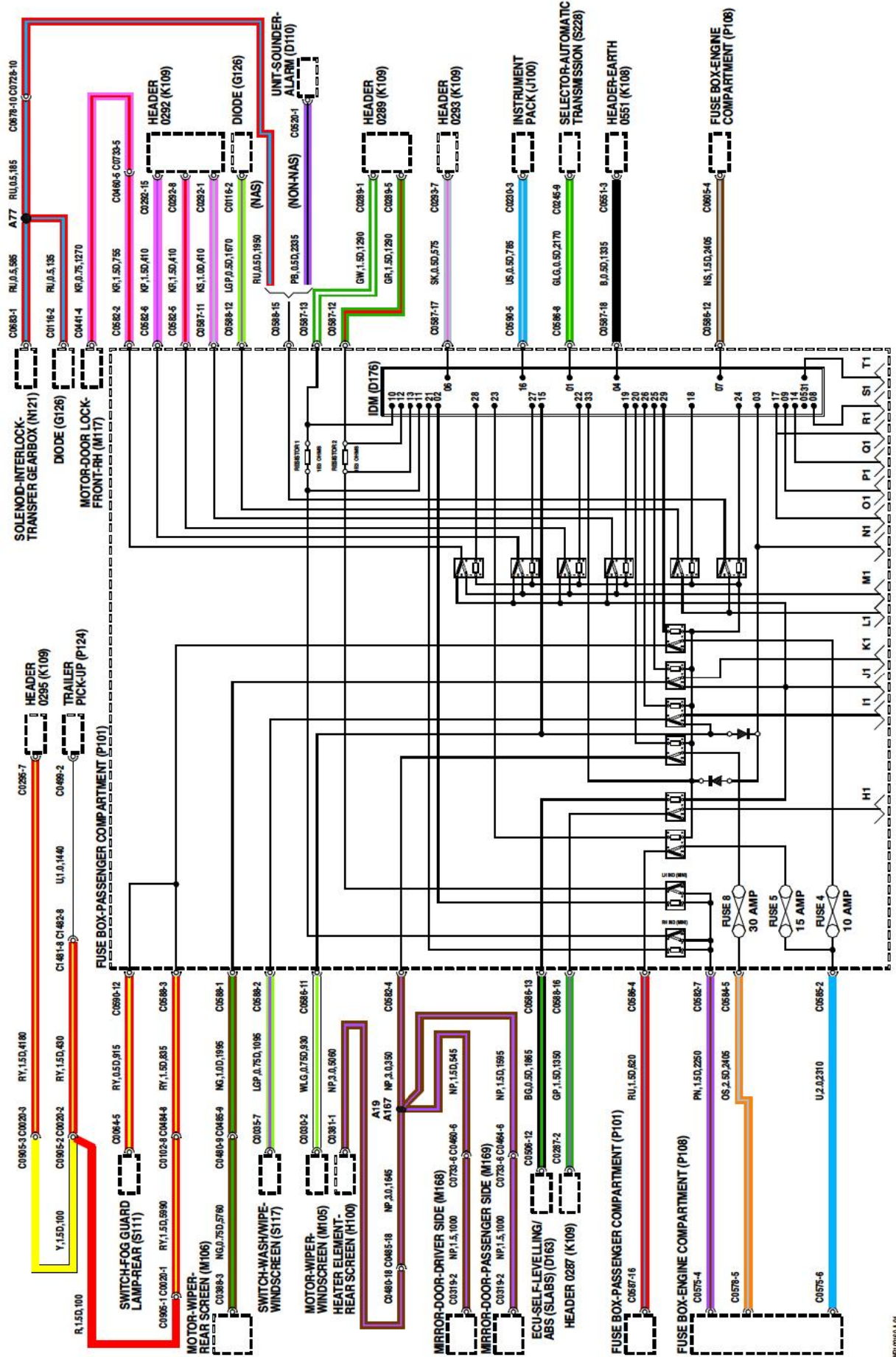
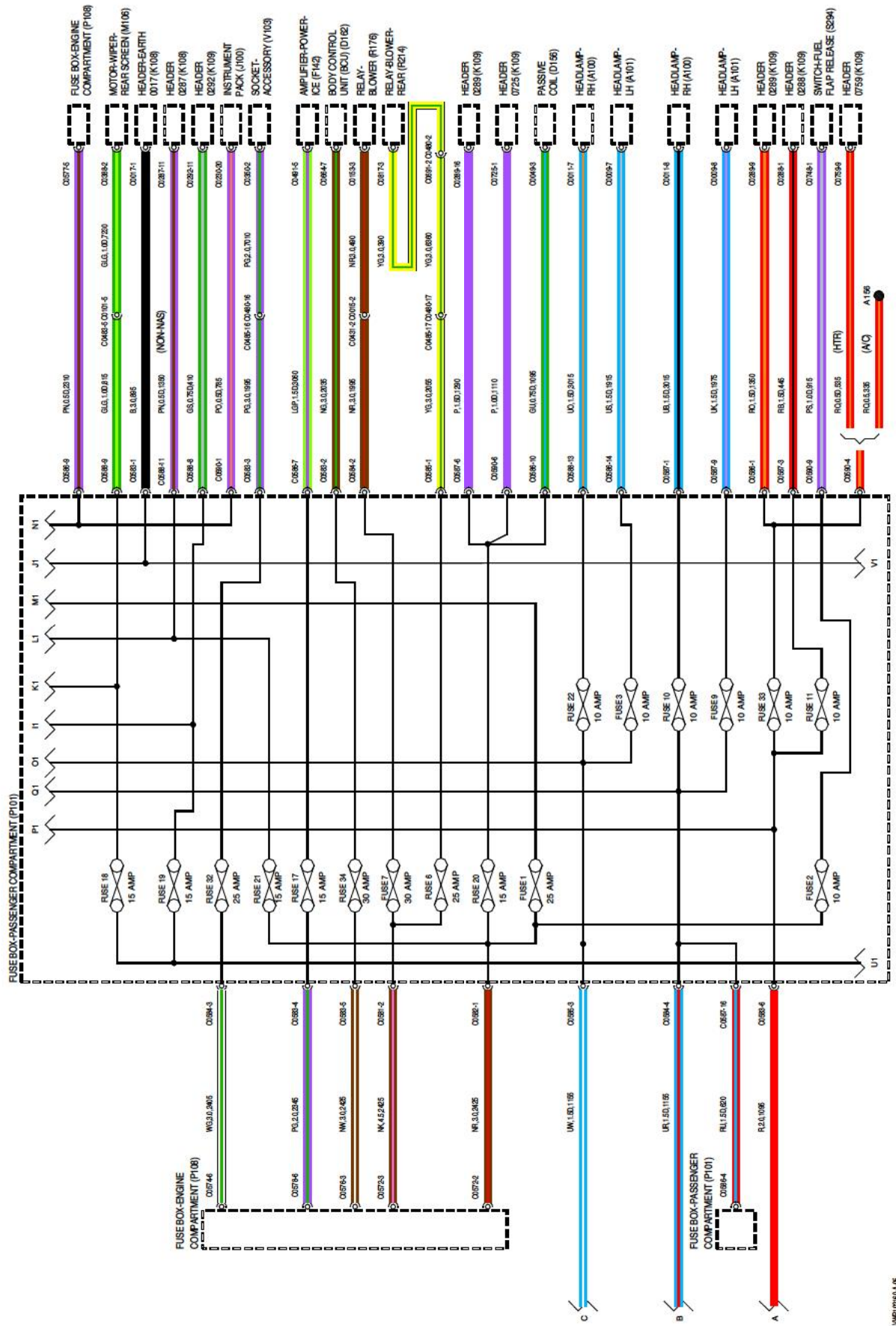


# 1 POWER DISTRIBUTION

## Passenger Compartment Fuse Box



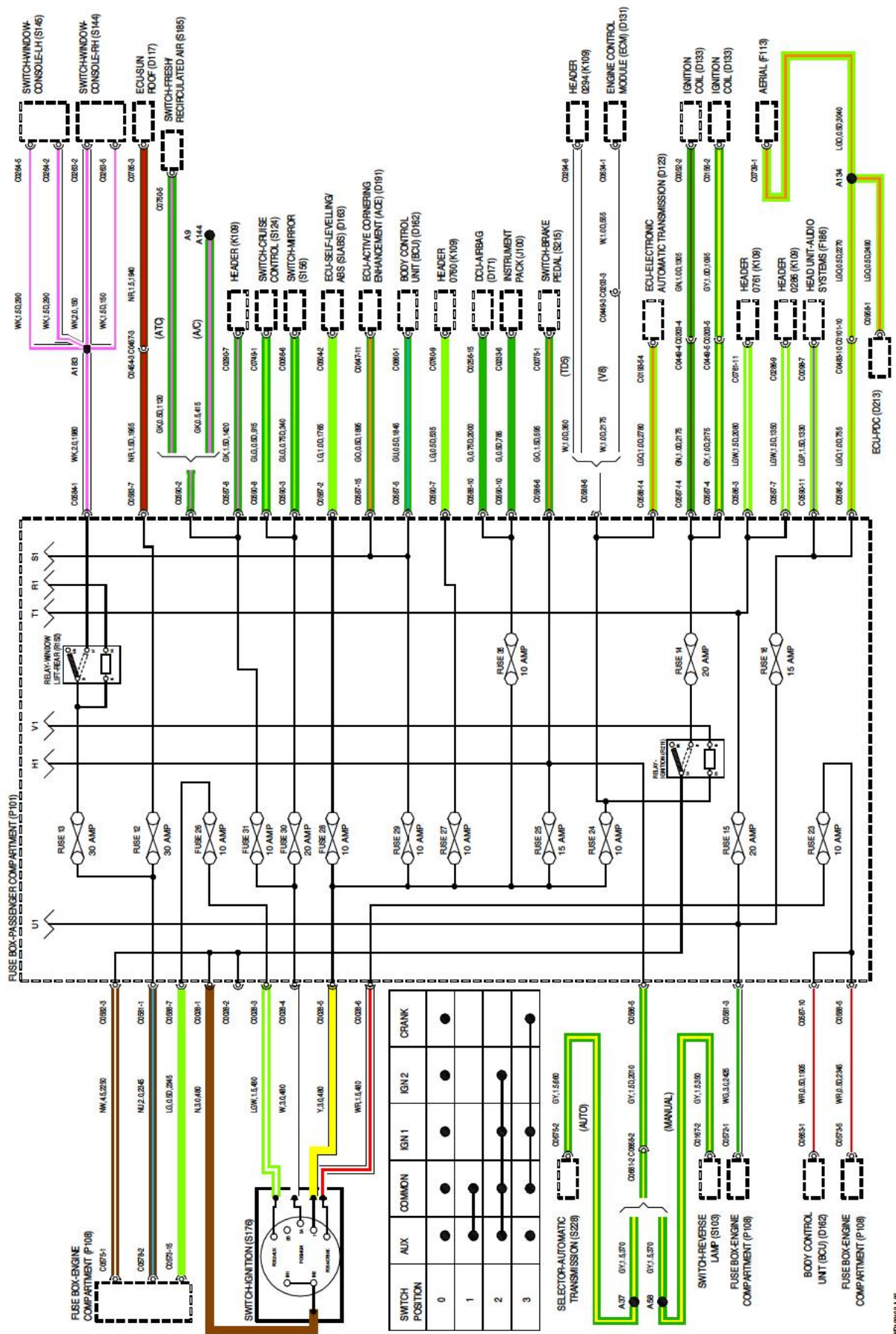
W010280A-04



WPI02603A05

# 1 POWER DISTRIBUTION

# Passenger Compartment Fuse Box



WPI026104.08