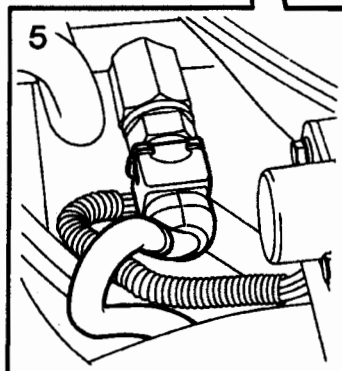
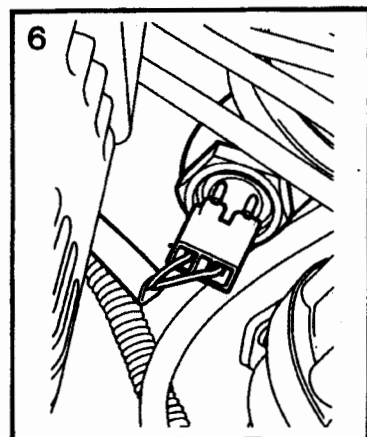
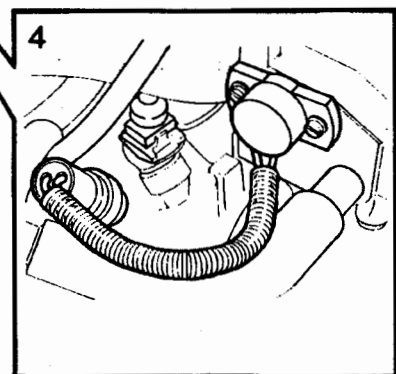
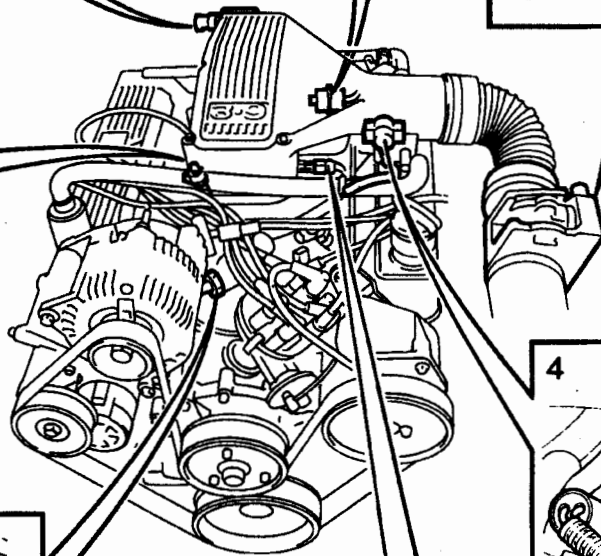
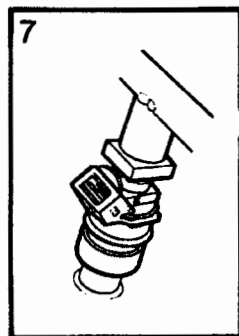
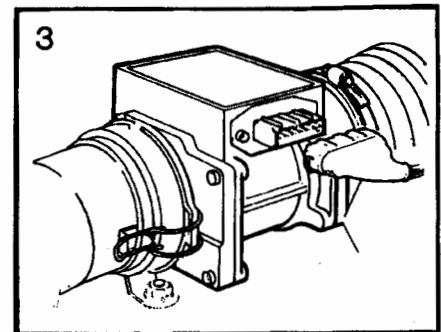
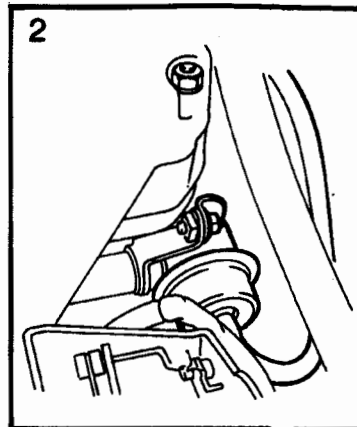
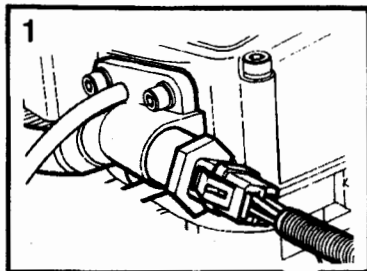


19 FUEL SYSTEM

ENGINE MOUNTED COMPONENTS

1. By-pass air valve (stepper motor).
2. Fuel pressure regulator.
3. Air flow meter.
4. Throttle potentiometer.
5. Fuel temperature sensor.
6. Coolant temperature sensor.
7. Fuel injector.



J5425