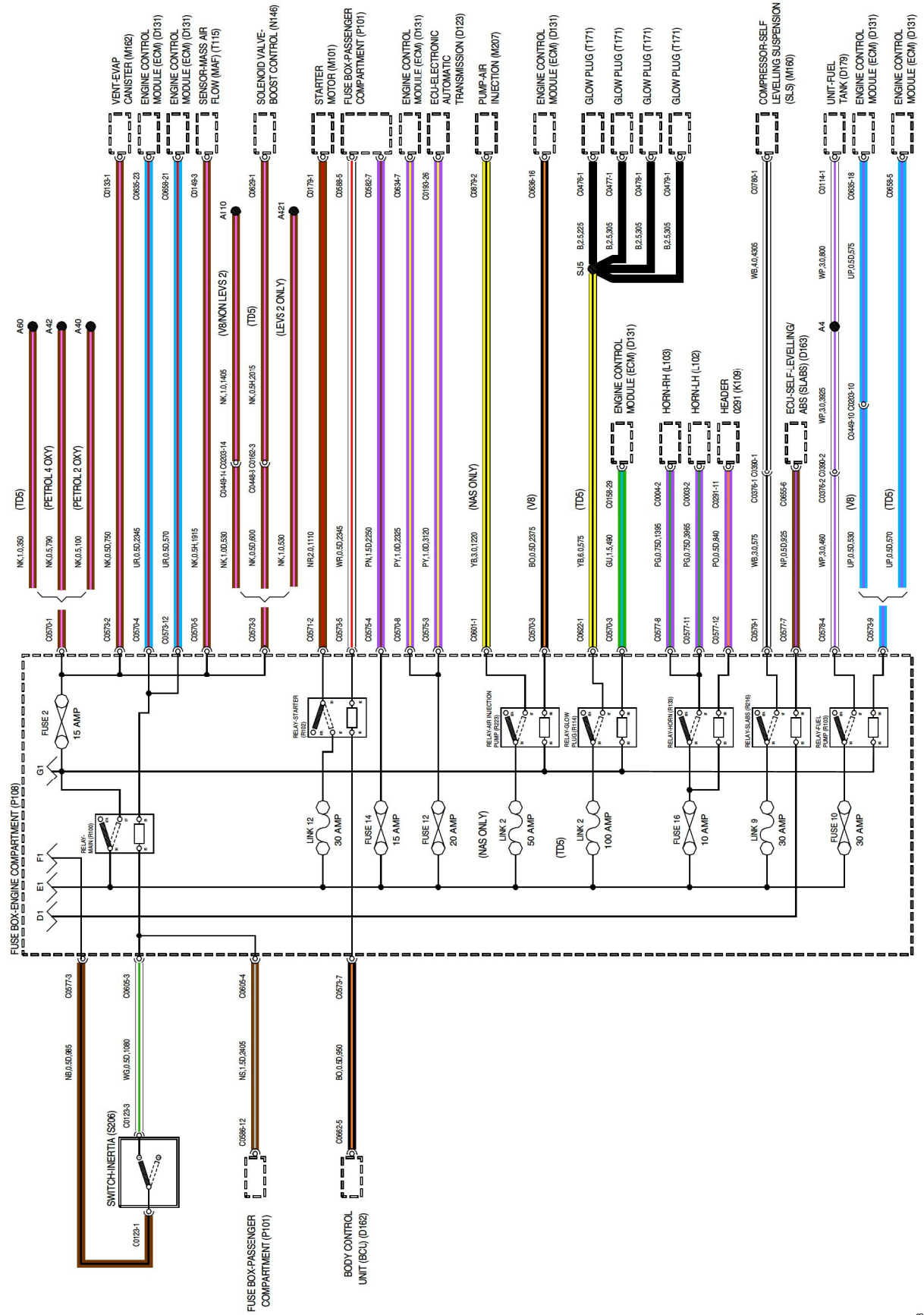


# 1 POWER DISTRIBUTION

## Engine Compartment Fuse Box



WMI02105-14-8