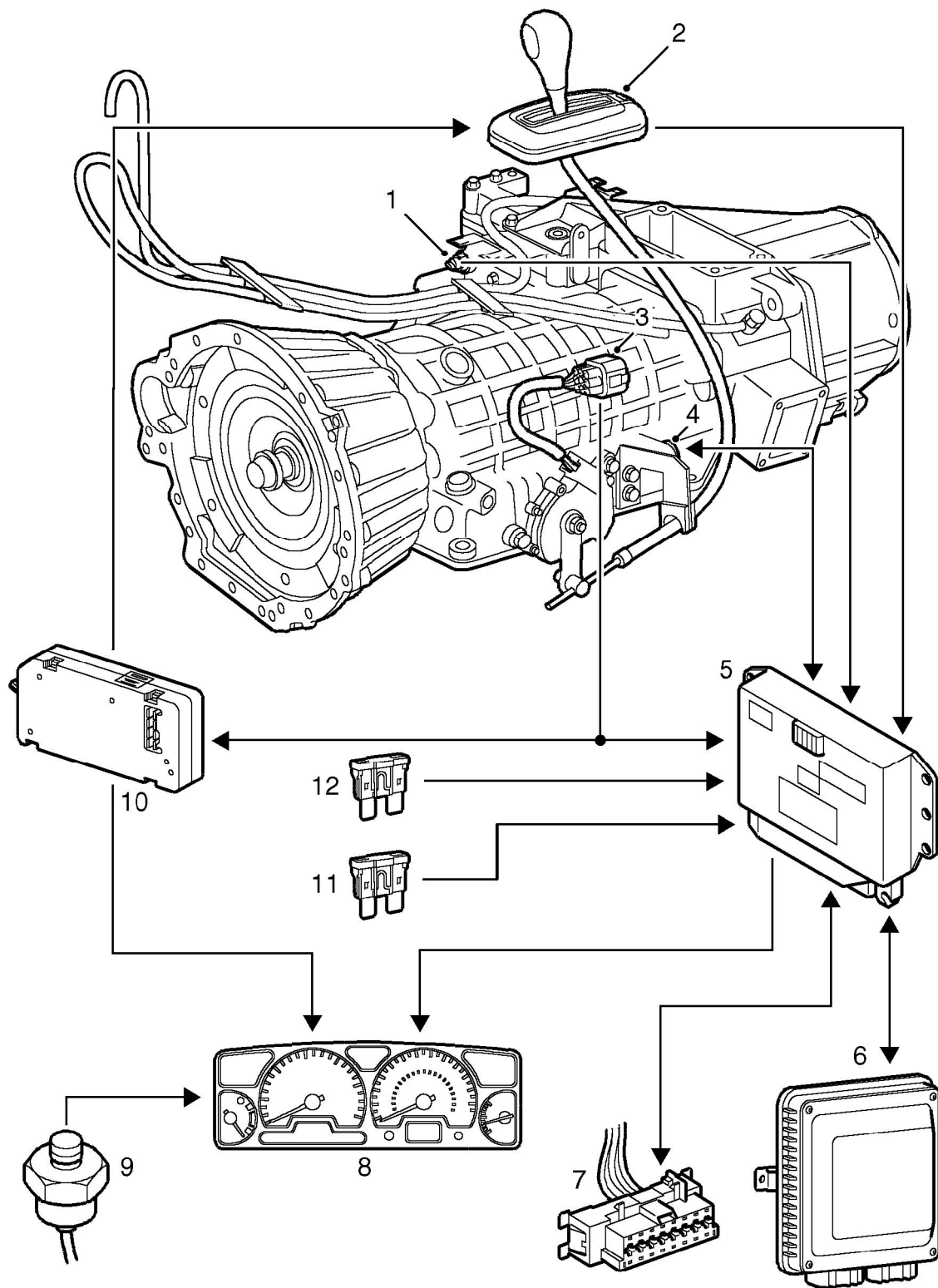


Control schematic



M44 1740