

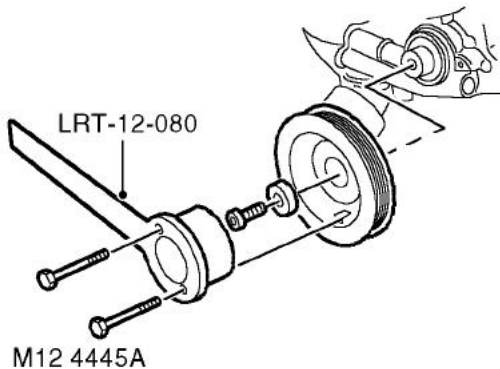


## Seal - cover - timing gears

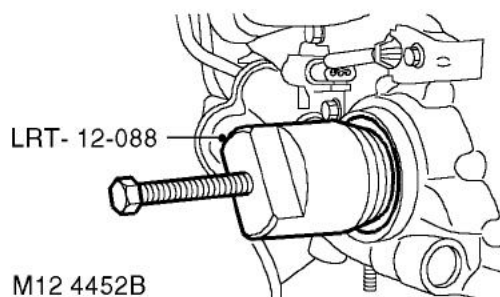
🔑 12.65.05

### Remove

1. Remove auxiliary drive belt.  
 📖 **CHARGING AND STARTING, REPAIRS, Belt - auxiliary drive.**



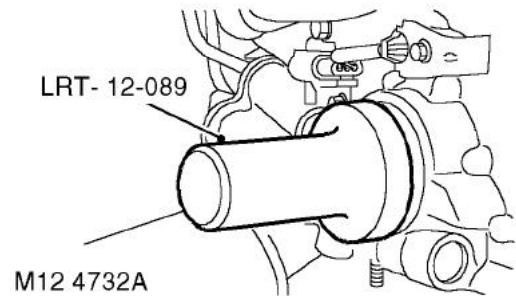
2. Secure tool **LRT-12-080** to crankshaft pulley with 2 bolts.
3. Remove crankshaft pulley bolt.
4. Remove crankshaft pulley.



5. Use tool **LRT-12-088**, to remove oil seal from timing gear cover.

### Refit

1. Clean seal register in timing gear cover and crankshaft pulley.  
**CAUTION: Seal is pre-greased, do not apply additional lubricant.**
2. Apply smear of Retinax LX grease to seal running surface on crankshaft.



3. Fit seal to timing gear cover using tool **LRT-12-089**.
4. Fit crankshaft pulley bolt and tighten to 270 Nm (200 lbf.ft).
5. Remove tool **LRT-12-080** from crankshaft pulley.
6. Fit auxiliary drive belt.  
 📖 **CHARGING AND STARTING, REPAIRS, Belt - auxiliary drive.**