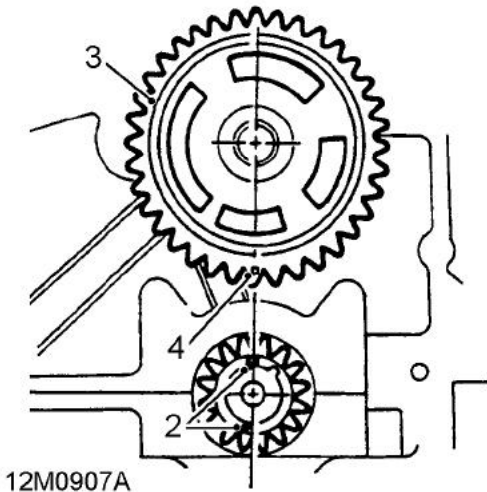


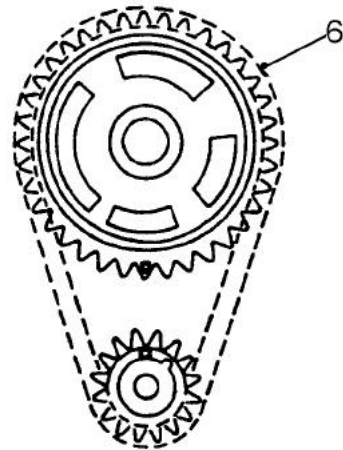
# ENGINE

## Timing gears - refit

1. Clean gear locations on camshaft and crankshaft, fit Woodruff key to crankshaft.



2. Temporarily fit crankshaft gear and if necessary, turn crankshaft to bring timing mark on gear to the twelve o'clock position, remove gear.
3. Temporarily fit camshaft gear.
4. Turn camshaft until mark on camshaft sprocket is at the six o'clock position, remove gear without moving camshaft.

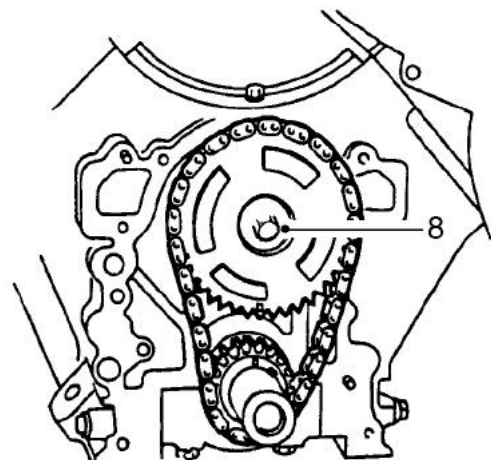


12M0914A

5. Position timing gears on work surface with timing marks aligned.
6. Fit timing chain around gears, keeping timing marks aligned.
7. Fit gear and chain assembly.



**NOTE: Timing marks must be facing forwards.**



12M1399A

8. Fit camshaft gear bolt, restrain camshaft gear and tighten bolt to 50 Nm (37 lbf.ft).