

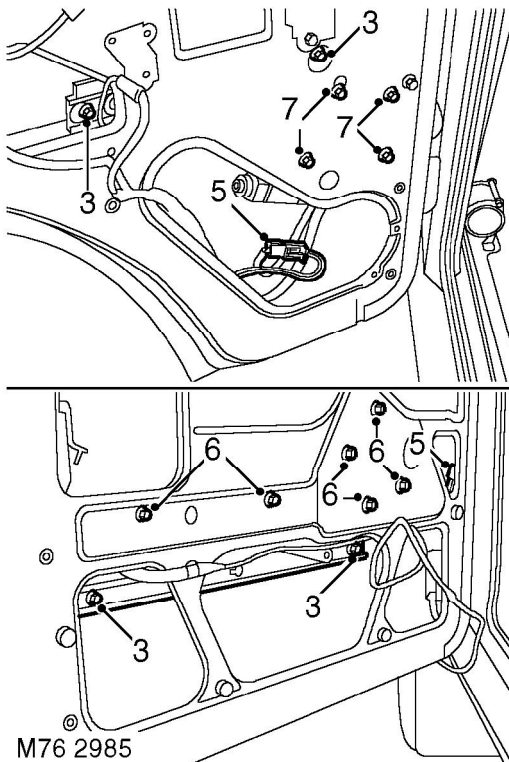


Regulator and motor - front and rear door glass

🔑 76.31.45

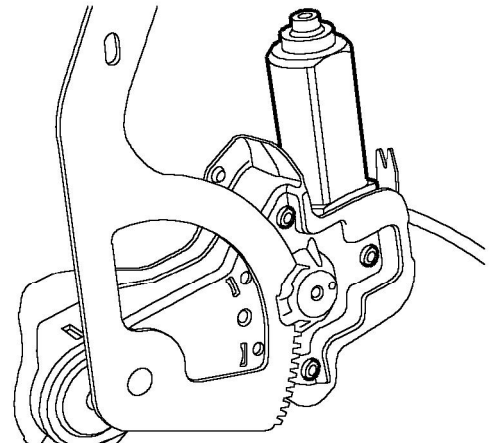
Remove

1. Remove door trim casing.
 🖱️ **DOORS, REPAIRS, Trim casing - front door.**
 🖱️ **DOORS, REPAIRS, Trim casing - rear door.**
2. Carefully release water shedder from door.



M76 2985

3. Lower glass and remove 2 bolts securing door glass to regulator.
4. Raise glass and secure with a suitable wedge.
5. Disconnect multiplug from glass lift motor.
6. **Front door:** Remove 6 bolts securing glass regulator assembly to door.
7. **Rear door:** Remove 4 bolts securing glass regulator assembly to door.
8. Manoeuvre regulator through access hole at bottom of the door.



M76 2986

9. Remove 3 Torx screws securing glass lift motor to regulator and remove motor.

Refit

1. Clean mating faces of regulator and motor.
2. Fit glass lift motor to regulator and tighten 3 Torx screws to 5 Nm (3.7 lbf.ft).
3. Position regulator in door. Fit bolts securing regulator to door and tighten to 6 Nm (4.4 lbf.ft).
4. Connect multiplug to glass lift motor.
5. Remove wedge holding glass and position glass to regulator.
6. Secure glass to regulator with bolts and tighten to 6 Nm (4.4 lbf.ft).
7. Fit water shedder to door.
8. Fit door trim casing.
 🖱️ **DOORS, REPAIRS, Trim casing - front door.**
 🖱️ **DOORS, REPAIRS, Trim casing - rear door.**