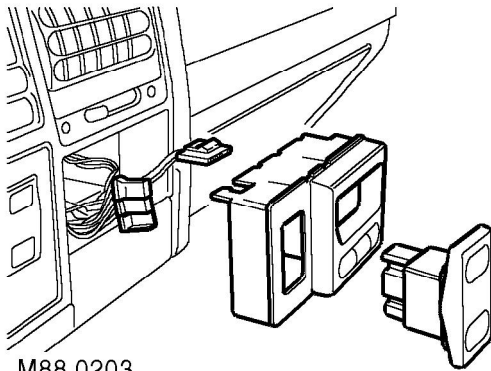




Clock

🔑 88.15.07

Remove

M88 0203

1. Carefully remove clock assembly from fascia.
2. Disconnect multiplugs from clock and door locking switches.
3. Remove door locking switch from clock assembly and remove clock assembly.

Refit

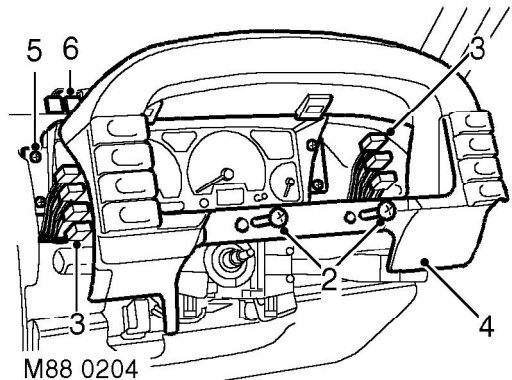
1. Fit door lock switch to clock assembly and connect multiplugs.
2. Position and push to secure clock assembly to fascia.

Instrument pack

🔑 88.30.38

Remove

1. Remove steering column nacelle.
STEERING, REPAIRS, Nacelle - steering column.



M88 0204

2. Remove 2 screws and release instrument cowl from 2 clips on fascia.
3. Disconnect 7 multiplugs from switches.
4. Remove instrument cowl.
5. Remove 4 screws securing instrument pack to fascia.
6. Disconnect 2 multiplugs from instrument pack.
7. Remove instrument pack.

Refit

1. Position new instrument pack and connect multiplugs.
2. Align instrument pack to fascia and secure with screws.
3. Position instrument cowl and connect multiplugs to switches.
4. Fit instrument cowl to clips and secure cowl with screws.
5. Fit steering column nacelle.
STEERING, REPAIRS, Nacelle - steering column.