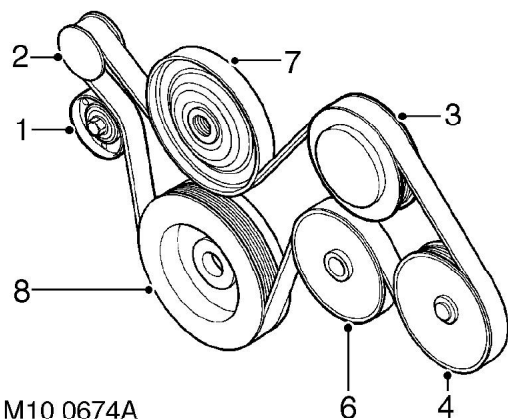




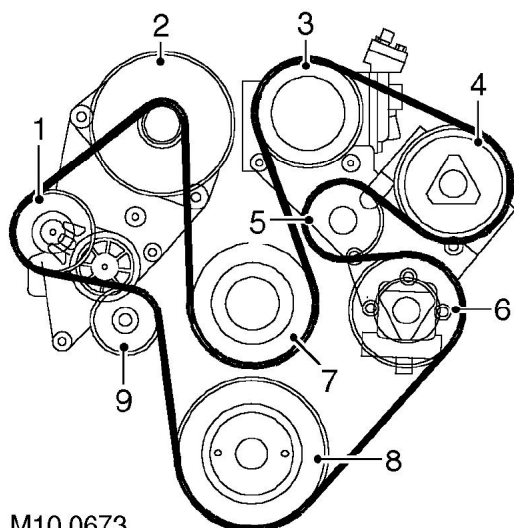
## Auxiliary drive belt

### Check



M10 0674A

*TD5 auxiliary belt*



M10 0673

*V8 auxiliary belt*

- 1 Tensioner pulley
- 2 Alternator
- 3 A/C compressor
- 4 ACE pump
- 5 Idler pulley - V8 only
- 6 PAS pump
- 7 Viscous fan pulley
- 8 Crankshaft pulley
- 9 Idler pulley - V8 only

1. Check auxiliary drive belt for signs of splits, fraying, oil contamination and wear.

## Auxiliary drive belt - V8 engine

1. Replace auxiliary drive belt.  
👉 **CHARGING AND STARTING, REPAIRS, Belt - auxiliary drive.**

## Auxiliary drive belt - diesel engine

### Replace

1. Replace auxiliary drive belt.  
👉 **CHARGING AND STARTING, REPAIRS, Belt - auxiliary drive.**