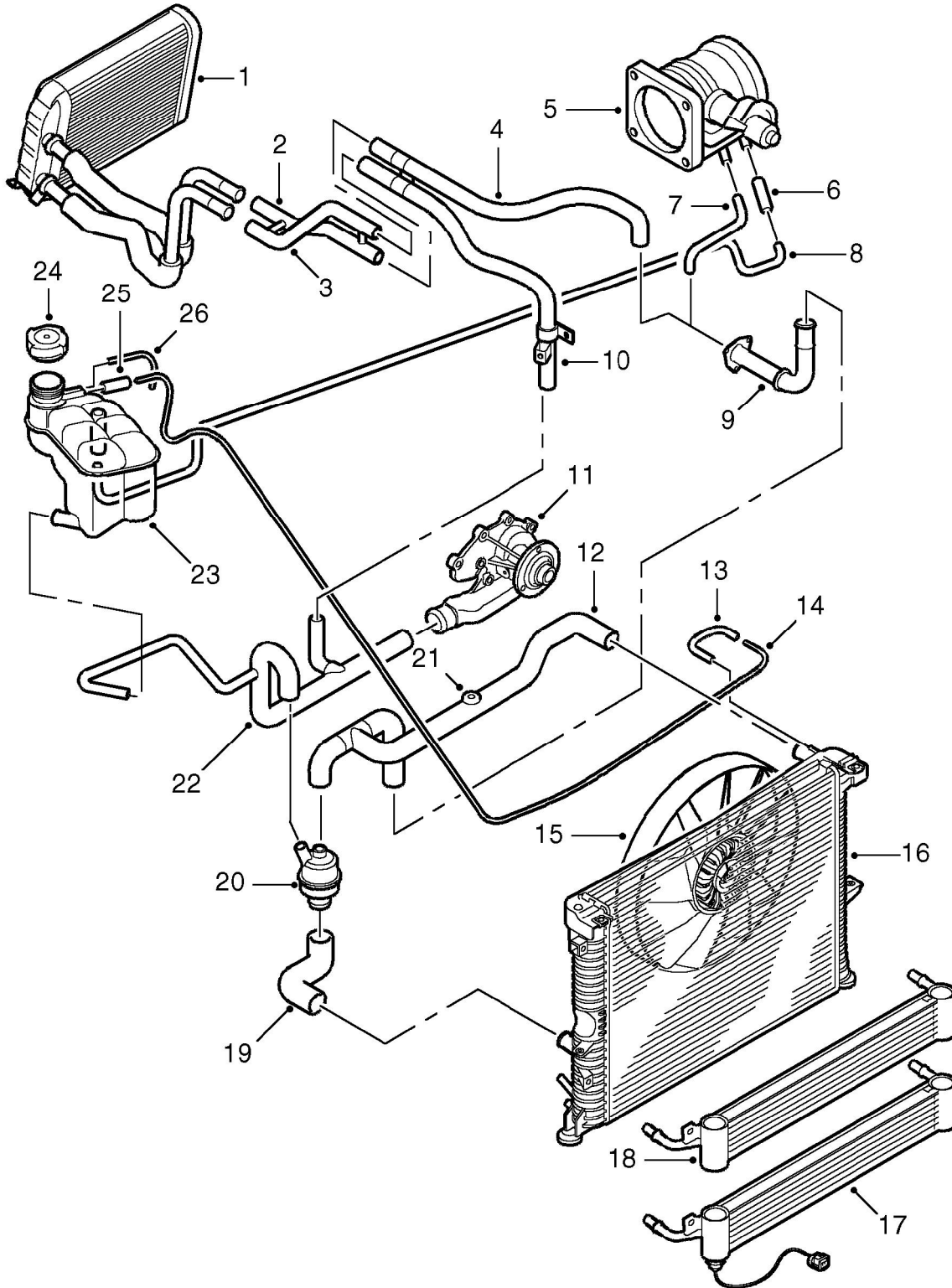


COOLING SYSTEM - V8

Cooling system component layout



M26 0841



- | | |
|---------------------------------------|--|
| 1 Heater matrix | 15 Viscous fan |
| 2 Heater return hose | 16 Radiator |
| 3 Heater inlet hose | 17 Gearbox oil cooler |
| 4 Heater inlet pipe | 18 Engine oil cooler (Only applicable to vehicles up to VIN 756821) |
| 5 Throttle housing | 19 Radiator bottom hose |
| 6 Connecting hose | 20 Thermostat housing |
| 7 Throttle housing inlet hose | 21 Bleed screw |
| 8 Throttle housing return pipe | 22 Coolant pump feed hose |
| 9 Manifold outlet pipe | 23 Expansion tank |
| 10 Heater return pipe | 24 Pressure cap |
| 11 Coolant pump | 25 Connecting hose |
| 12 Radiator top hose | 26 Overflow pipe |
| 13 Connecting hose | |
| 14 Radiator bleed pipe | |