

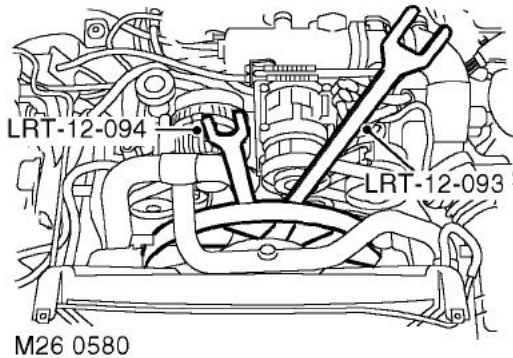


Fan - viscous

🔑 26.25.19

Remove

1. Release fixings and remove battery cover.
2. Disconnect battery earth lead.
3. Remove upper fan cowl.



4. Remove viscous fan using tool **LRT-12-093** and tool **LRT-12-094**.
RH thread.

Refit

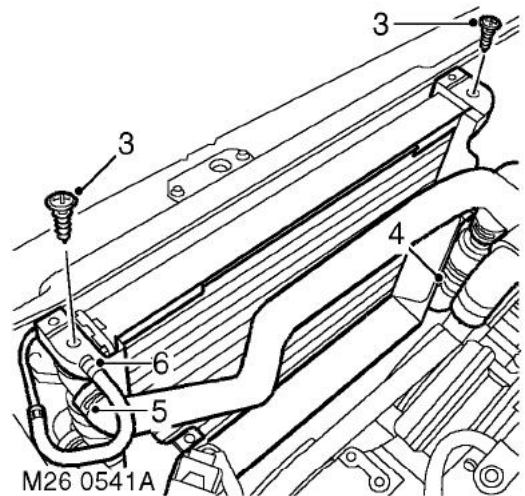
1. Position viscous fan and tighten using tool **LRT-12-093** and tool **LRT-12-094**.
2. Fit upper fan cowl.
3. Connect battery earth lead.
4. Fit battery cover and secure fixings.

Radiator

🔑 26.40.01

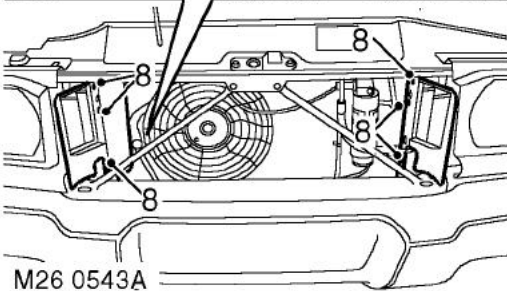
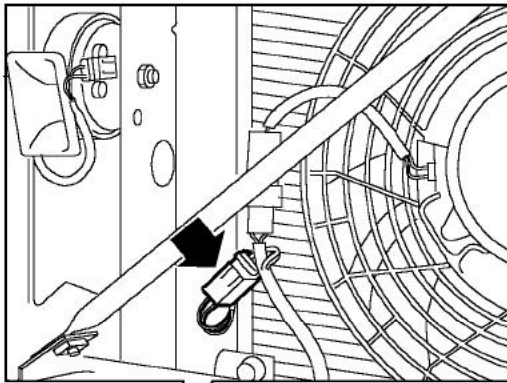
Remove

1. Remove viscous fan.
👉 **COOLING SYSTEM - V8, REPAIRS, Fan - viscous.**
2. Drain cooling system.
👉 **COOLING SYSTEM - V8, ADJUSTMENTS, Drain and refill.**



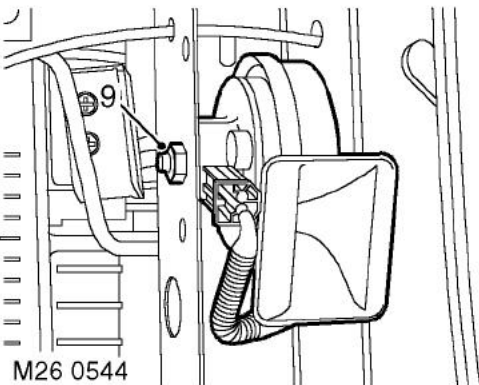
3. Remove 2 screws and remove lower of fan cowl.
4. Release clip and disconnect bottom hose from thermostat housing.
5. Release clip and disconnect top hose from radiator.
6. Remove clip and disconnect bleed hose from radiator.
7. Remove front grille.
👉 **EXTERIOR FITTINGS, REPAIRS, Grille - front - up to 03MY.**

COOLING SYSTEM - V8



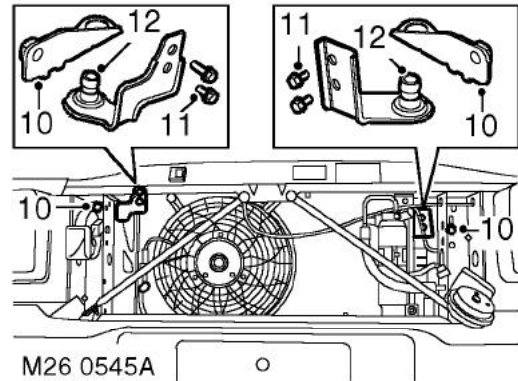
M26 0543A

8. Remove 6 screws and remove LH and RH air deflectors from front panel. Disconnect multiplug of gearbox oil temperature sensor (arrowed).



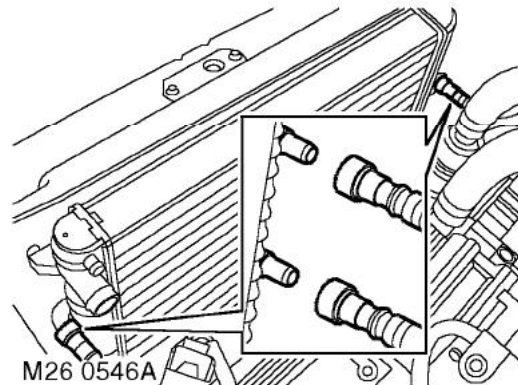
M26 0544

9. Remove nut and move horn aside.



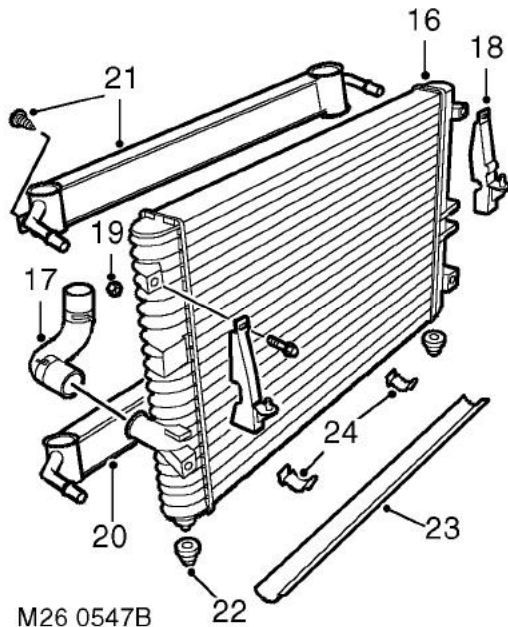
M26 0545A

10. Remove 2 bolts securing radiator LH and RH upper mounting brackets to body panel and remove brackets.
 11. Remove 4 screws securing air conditioning condenser LH and RH upper mounting brackets to condenser.
 12. Remove brackets with rubber mounts from radiator extension brackets.



M26 0546A

13. Position absorbent cloth under each cooler hose to collect oil spillage.
 14. Push against coupling release rings and disconnect hoses from gearbox oil cooler.
CAUTION: Always fit plugs to open connections to prevent contamination.
 15. **If fitted:** Push against coupling release rings and disconnect hoses from engine oil cooler.



M26 0547B

16. Remove radiator assembly.
17. Release clip and remove bottom hose from radiator.
18. Remove 2 bolts and remove extension brackets from radiator.
19. Remove 2 captive nuts from radiator.
20. Remove 2 screws and remove gearbox oil cooler from radiator.
21. **If fitted:** Remove 2 screws and remove engine oil cooler from radiator.
22. Remove 2 rubber mountings from radiator.
23. Remove sealing strip from bottom of radiator.
24. Remove 2 cowl retaining clips from radiator.

Refit

1. Fit cowl retaining clips to radiator.
2. Fit sealing strip to radiator.
3. Fit rubber mountings to radiator.
4. Fit gearbox oil cooler to radiator and secure with screws.
5. **If fitted:** Fit engine oil cooler to radiator and secure with screws.
6. Fit captive nuts to radiator.
7. Fit extension brackets to radiator and secure with bolts.
8. Fit bottom hose to radiator and secure with clip.
9. Fit radiator and engage lower mountings in chassis.
10. Ensure connections are clean, then secure hoses to oil coolers.
11. Fit air conditioning condenser brackets and secure with screws.
12. Fit radiator upper mounting brackets and secure with bolts.
13. Fit LH horn and secure with nut.
14. Fit air deflectors and secure with scrivenets.
15. Connect multiplug of gearbox oil temperature sensor.
16. Fit front grille.
 - ☞ **EXTERIOR FITTINGS, REPAIRS, Grille - front - up to 03MY.**
17. Connect bottom hose to thermostat housing and secure with clip.
18. Connect top hose to radiator and secure with clip.
19. Connect bleed hose to radiator and fit clip.
20. Fit lower fan cowl and secure with screws.
21. Fit viscous fan.
 - ☞ **COOLING SYSTEM - V8, REPAIRS, Fan - viscous.**
22. Top up gearbox oil.
23. Top up engine oil.
24. Refill cooling system.
 - ☞ **COOLING SYSTEM - V8, ADJUSTMENTS, Drain and refill.**

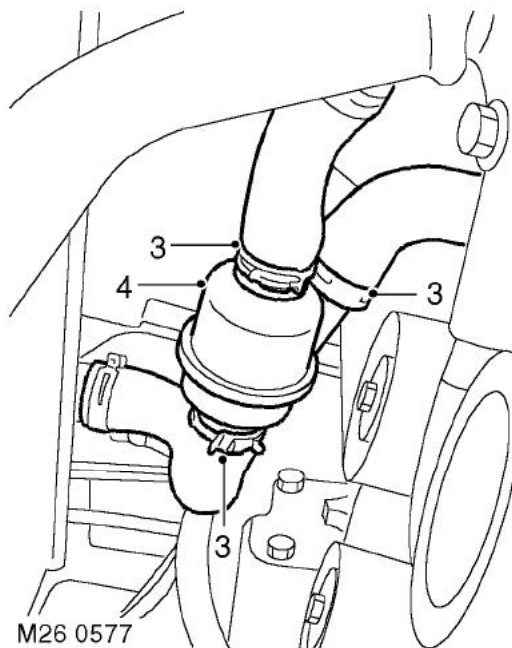
COOLING SYSTEM - V8

Thermostat

🔑 26.45.09

Remove

1. Drain cooling system.
👉 COOLING SYSTEM - V8, ADJUSTMENTS, Drain and refill.
2. Remove viscous fan.
👉 COOLING SYSTEM - V8, REPAIRS, Fan - viscous.



3. Release 3 clips and disconnect coolant hoses from thermostat.
4. Remove thermostat.

Refit

1. Position thermostat, connect hoses and secure with clips.
2. Fit viscous fan.
👉 COOLING SYSTEM - V8, REPAIRS, Fan - viscous.
3. Refill cooling system.
👉 COOLING SYSTEM - V8, ADJUSTMENTS, Drain and refill.