




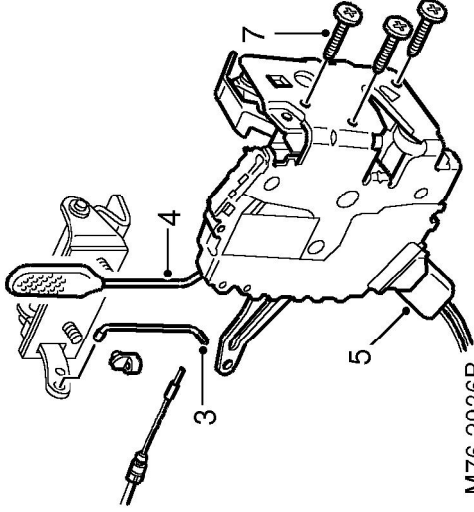
DOORS

Latch and motor - tail door

76.37.16

Remove

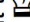
1. Remove tail door trim casing.
 **DOORS, REPAIRS, Trim casing - tail door.**
2. Carefully release water shedder from tail door.



M76 2936B

3. Release and remove control rod from exterior handle and latch.
4. Release and remove sill button lock rod.
5. Disconnect multiplug from motor.
6. Remove release cable from clip.
7. Remove 3 Torx screws securing latch and motor assembly to door.
8. Remove door latch.
9. Disconnect release cable from latch.

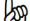
Refit

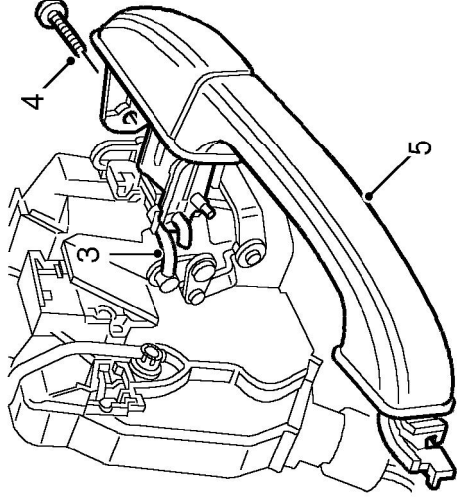
1. Connect release cable to latch.
2. Position door latch and motor assembly, secure with Torx screws and tighten to 7 Nm (5.2 lbf.ft).
3. Position control rod and connect to exterior handle and latch.
4. Position sill button lock rod and connect to latch.
5. Secure release cable in clip.
6. Connect multiplug to motor.
7. Fit water shedder to door.
8. Fit tail door trim casing.
 **DOORS, REPAIRS, Trim casing - tail door.**

Handle - exterior - rear door

76.58.02

Remove

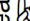
1. Remove rear door trim casing.
 **DOORS, REPAIRS, Trim casing - rear door.**
2. Carefully release water shedder from door.



M76 2926B

3. Release control rod from latch.
4. Remove Torx bolt securing exterior handle to door.
5. Remove exterior handle.
6. Remove control rod from exterior handle.

Refit

1. Fit control rod to exterior handle.
2. Position exterior handle and secure to door with Torx bolt.
3. Connect control rod to latch.
4. Fit water shedder to door.
5. Fit rear door trim casing.
 **DOORS, REPAIRS, Trim casing - rear door.**