

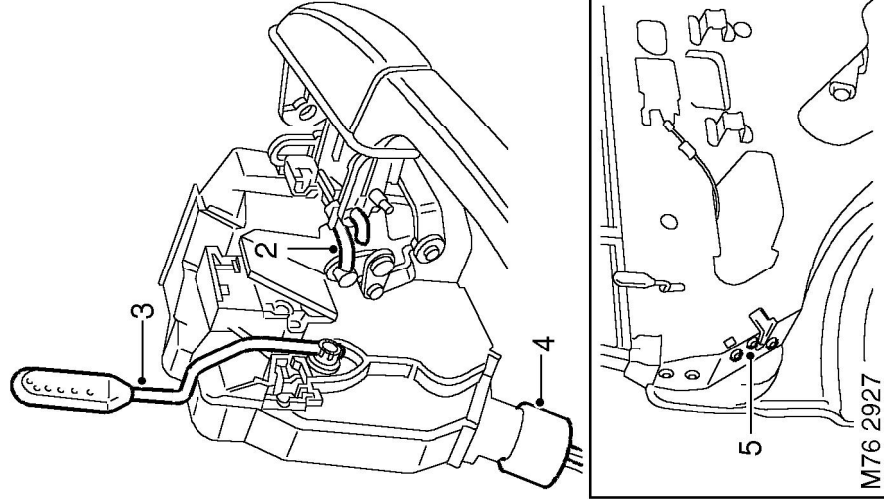
DOORS

Latch and motor - rear door

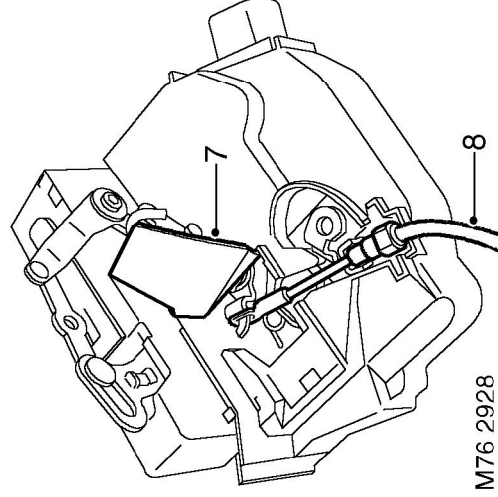
76.37.13

Remove

1. Remove rear door frame.
 **DOORS, REPAIRS, Glass - front or rear door.**



2. Release exterior handle control rod from latch.
3. Release sill button lock rod from door latch.
4. Disconnect multiplug from motor.
5. Remove 3 Torx screws securing latch and motor assembly to door.
6. Remove latch and motor assembly through lower aperture in door.



7. Open security flap on latch.
8. Disconnect release cable from latch.

Refit

1. Connect release cable to latch and close security flap.
2. Position latch to door, fit Torx screws securing latch to door and tighten to 7 Nm (5.2 lbf.ft).
3. Connect multiplug to motor.
4. Connect exterior handle control rod to latch.
5. Connect sill button lock rod to latch.
6. Fit rear door frame.

 **DOORS, REPAIRS, Glass - front or rear door.**