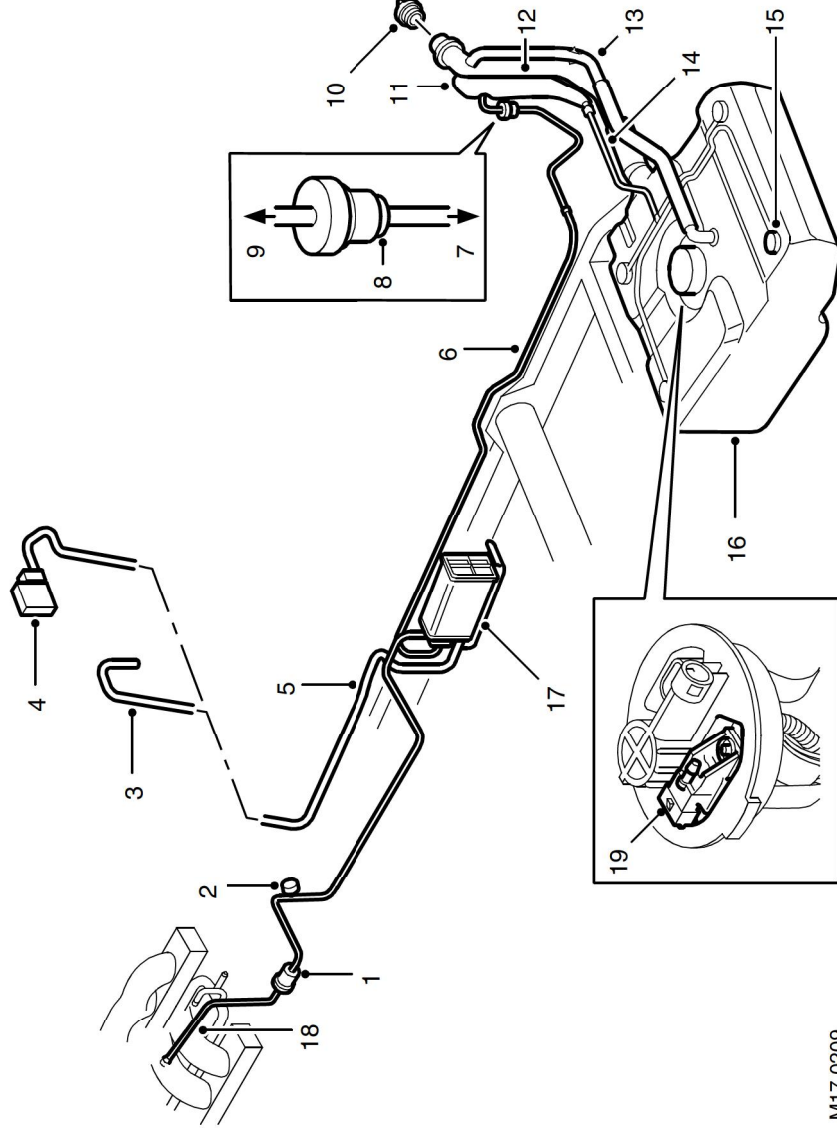




EMISSION CONTROL - V8

Evaporative emission system component layout



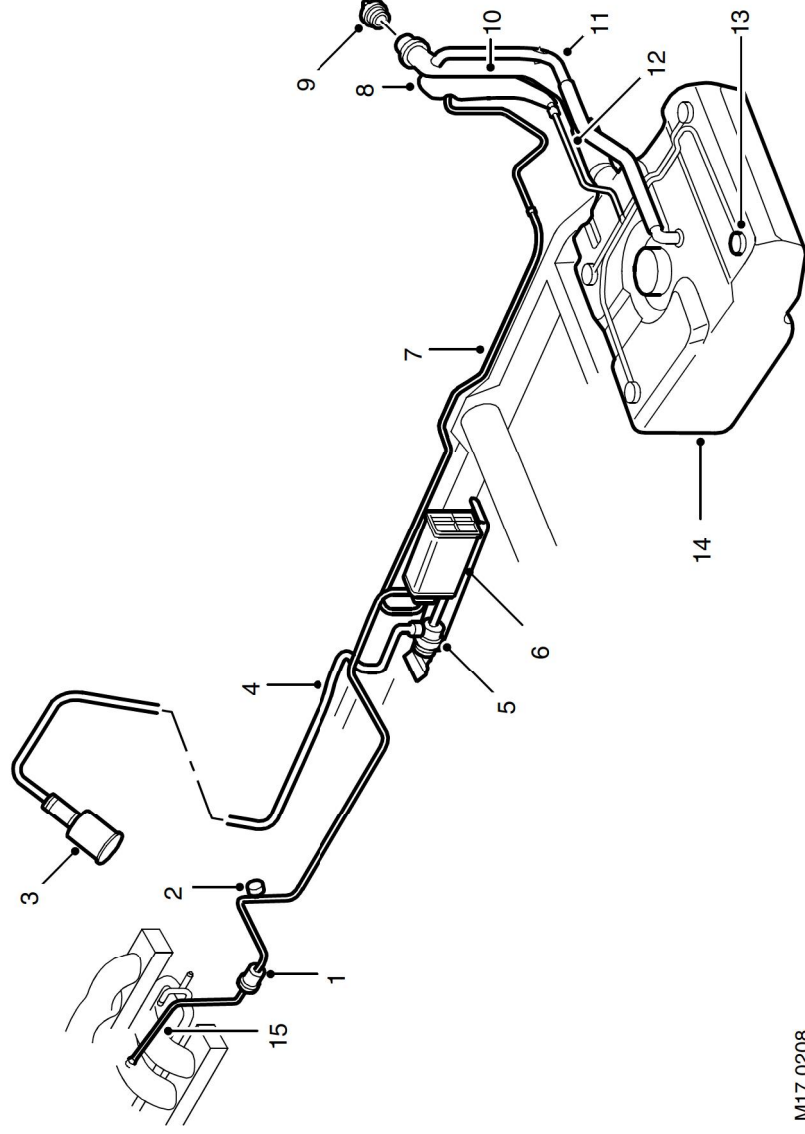
M17 0209

- 1 Purge valve
- 2 Service port
- 3 Snorkel tube (UK / ROW only)
- 4 CVS unit (NAS vehicles with vacuum type leak detection only)
- 5 EVAP canister breather tube
- 6 Vent pipe – fuel tank to EVAP canister
- 7 Relief valve regulated flow
- 8 Relief valve (UK / ROW only)
- 9 Relief valve free flow
- 10 Fuel filler cap
- 11 Liquid vapour separator # (UK / ROW type shown)

- 12 Fuel filler hose (UK / ROW type shown)
- 13 Tank breather hose (UK / ROW only)
- 14 Vent hose
- 15 Roll over valves (ROV's) – (4 off, UK / ROW spec. shown)
- 16 Fuel tank and breather assembly
- 17 EVAP canister
- 18 Purge line connection to engine manifold
- 19 Tank EVAP system pressure sensor (NAS vehicles with vacuum type leak detection only)

EMISSION CONTROL - V8

Evaporative emission system (with positive pressure leak detection) component layout (NAS only)



M17 0208

- 1 Purge valve
- 2 Service port
- 3 Air filter canister
- 4 EVAP canister breather tube
- 5 Leak detection pump
- 6 EVAP canister
- 7 Vent pipe – fuel tank to EVAP canister
- 8 Liquid vapour separator (metal)

- 9 Fuel filler cap
- 10 Fuel filler
- 11 Fuel tank breather assembly
- 12 Vent hose
- 13 Roll over valves (inside fuel tank)
- 14 Fuel tank
- 15 Purge line connection to engine manifold