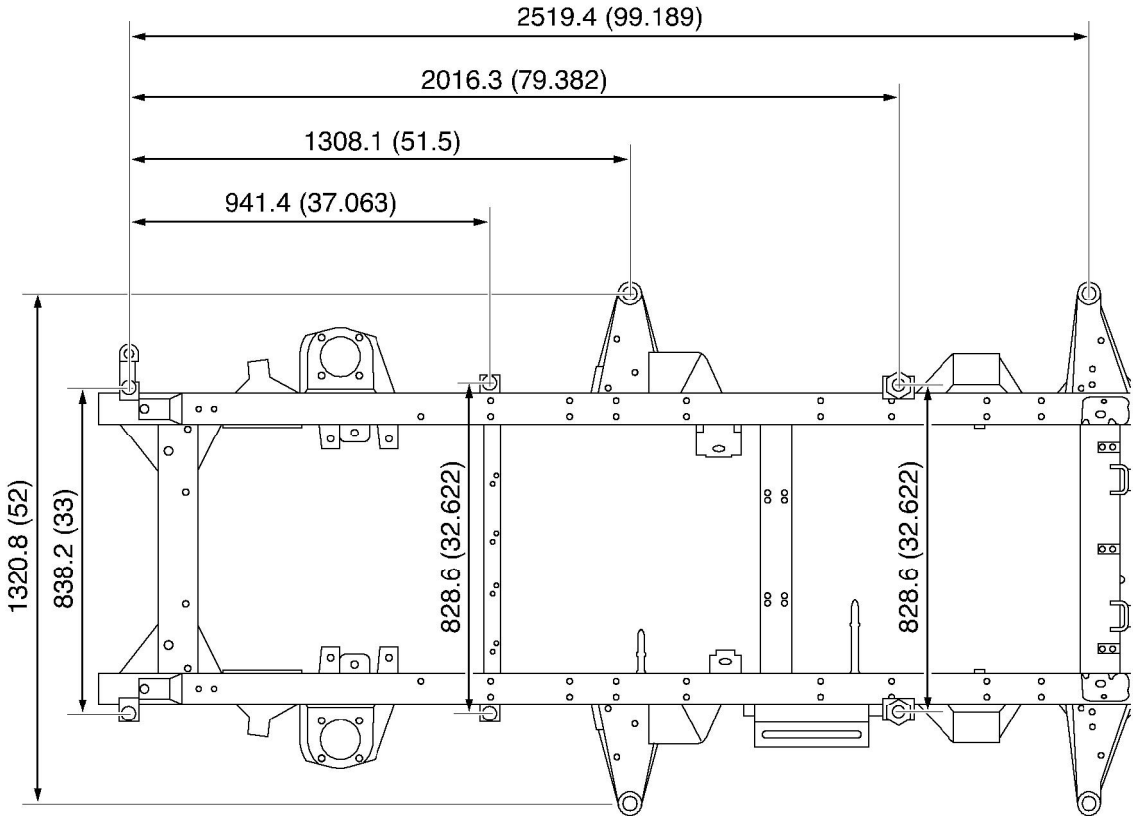




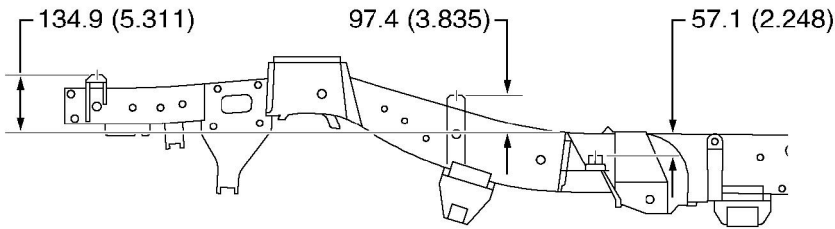
Chassis body mounting points - front end

Plan view



M77 1725

Side view



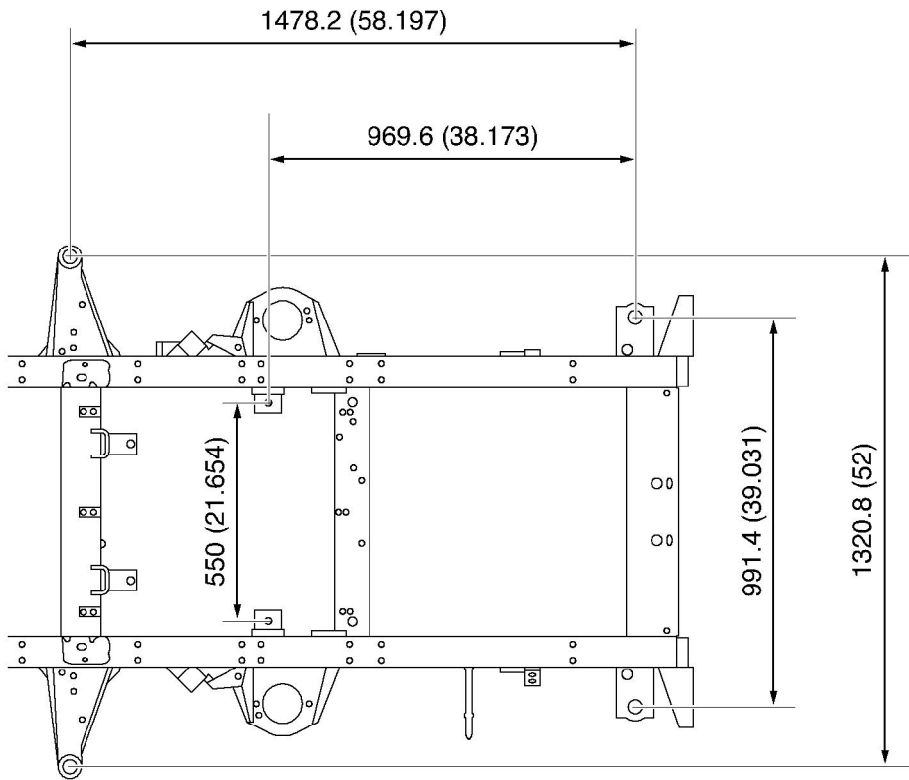
M77 1726

Figures shown outside brackets are metric measurements (millimetres) and those inside brackets are imperial measurements (inches).

CHASSIS AND BODY DIMENSIONS

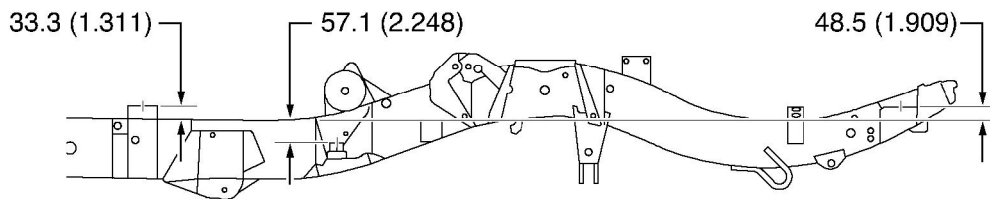
Chassis body mounting points - rear end

Plan view



M77 1729

Side view



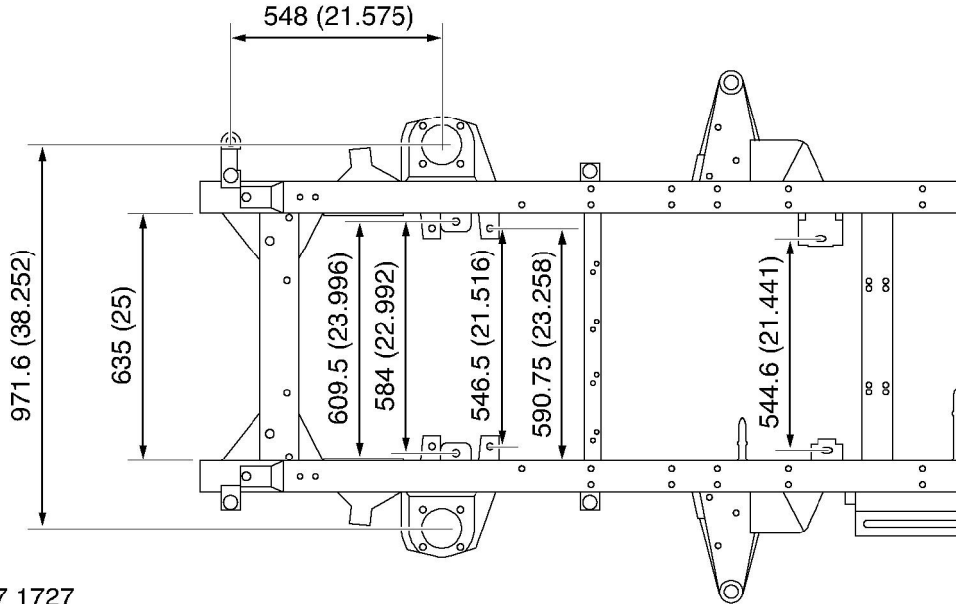
M77 1739

Figures shown outside brackets are metric measurements (millimetres) and those inside brackets are imperial measurements (inches).



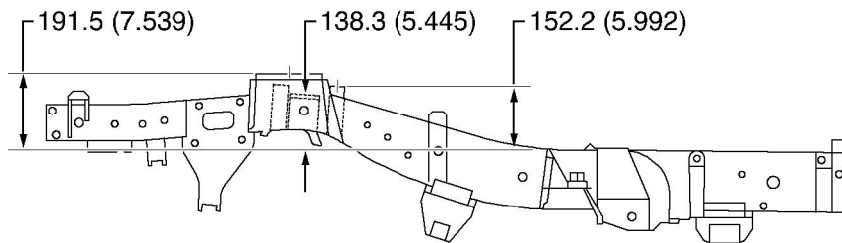
Chassis dimensions - front end

Plan view



M77 1727

Side view



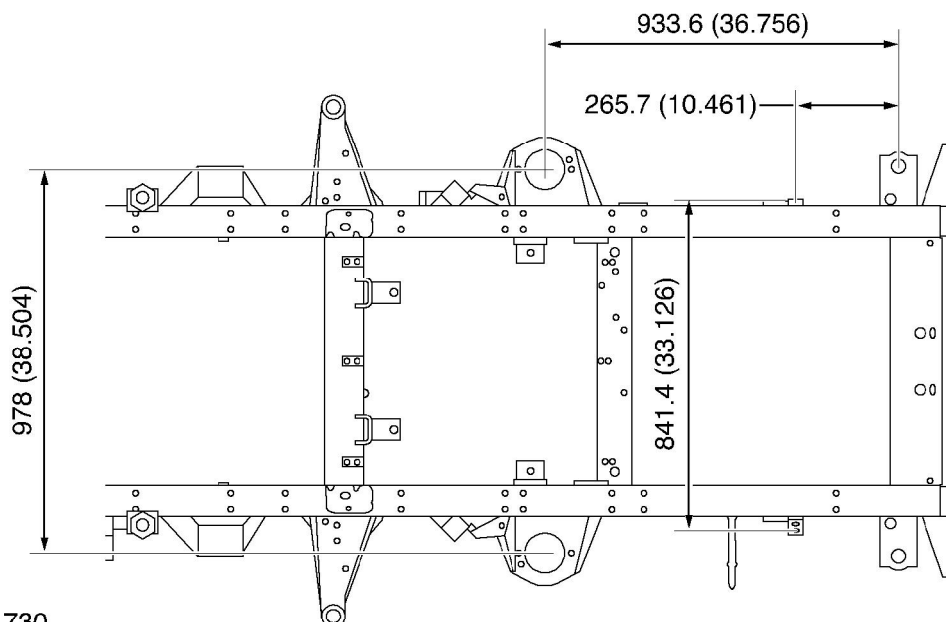
M77 1728

Figures shown outside brackets are metric measurements (millimetres) and those inside brackets are imperial measurements (inches).

CHASSIS AND BODY DIMENSIONS

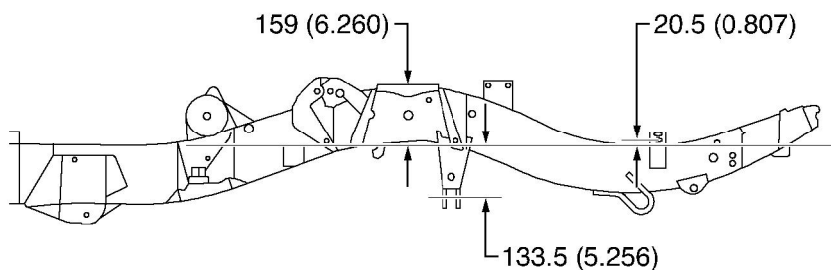
Chassis dimensions - rear end

Plan view



M77 1730

Side view



M77 1738

Figures shown outside brackets are metric measurements (millimetres) and those inside brackets are imperial measurements (inches).