

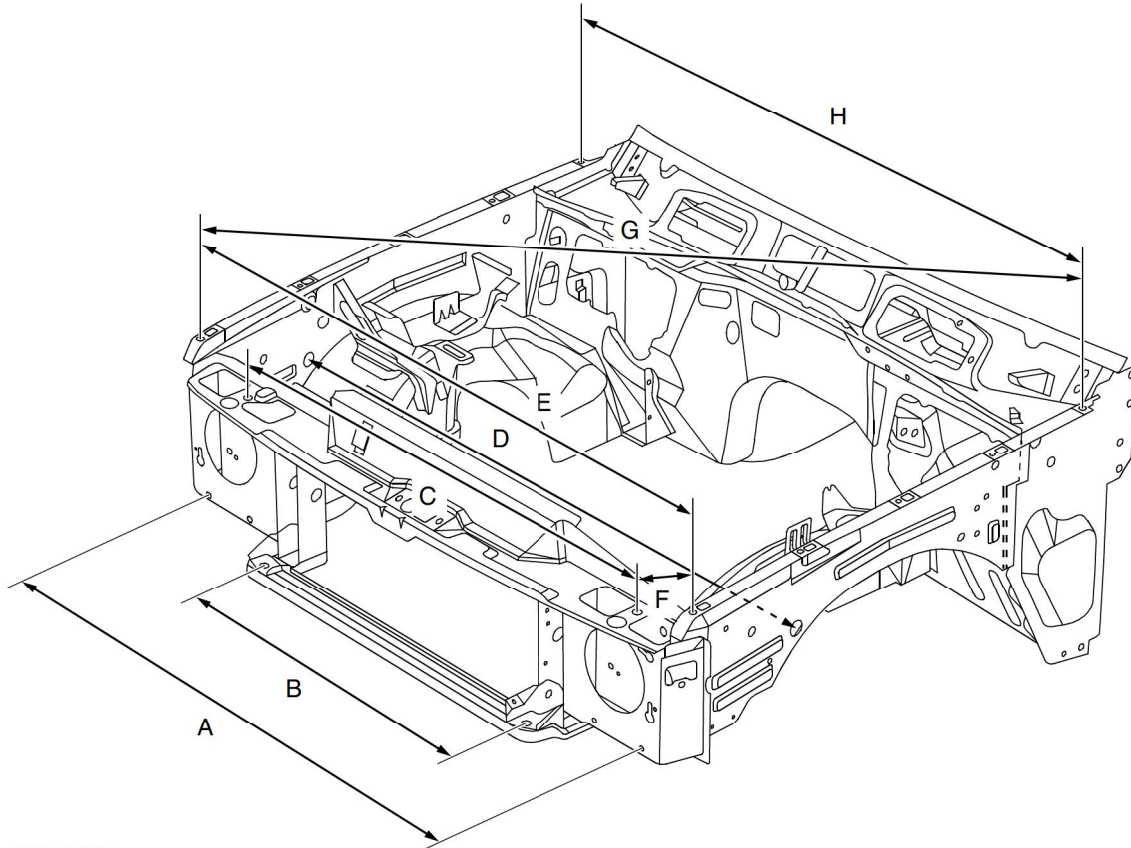


## Point to point dimensional information

Figures shown outside brackets are metric measurements (millimetres) and those inside brackets are imperial measurements (inches).

All dimensions are to hole/slot centres.

### Front end information



M77 1752

I.D	Description	Length
A	Distance between headlamp mounting panel slots	1373.2 (54.062)
B	Distance between grille locating slots	827.8 (32.590)
C	Distance between bonnet locking platform jig location holes	1222 (48.110)
D	Distance between valance upper assembly jig location holes	1541 (60.669)
E	Distance between wing, front fixing holes	1536 (60.472)
F	Distance between bonnet locking platform jig location hole and wing, front fixing hole	170.2 (6.700)
G	Distance between wing, front fixing hole and wing, rear fixing hole	1894.7 (74.594)
H	Distance between wing, rear fixing holes	1586 (62.440)