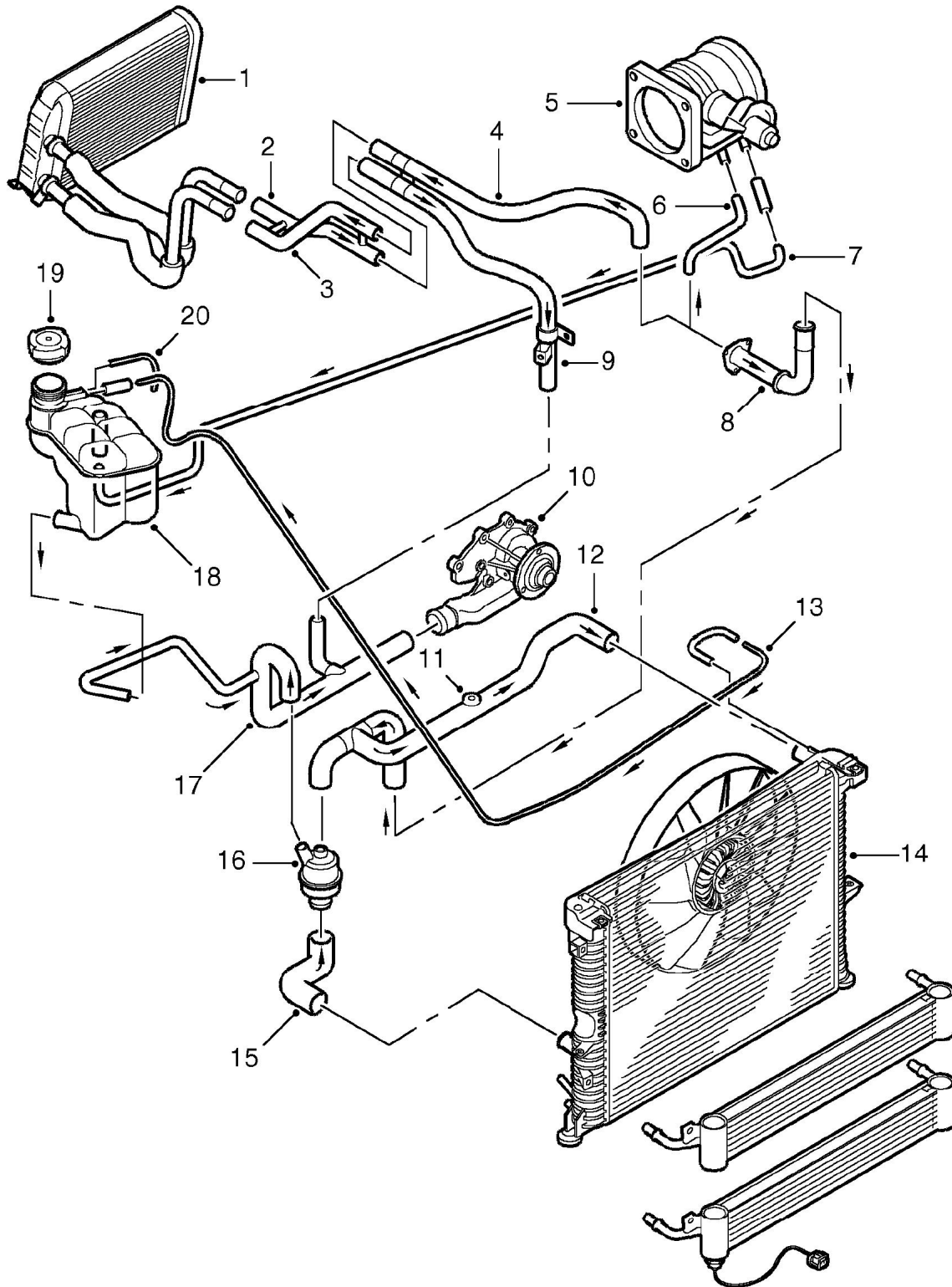


# COOLING SYSTEM - V8

## Cooling system coolant flow



M26 0842



- |                                       |                                  |
|---------------------------------------|----------------------------------|
| <b>1</b> Heater matrix                | <b>11</b> Bleed screw            |
| <b>2</b> Heater return hose           | <b>12</b> Radiator top hose      |
| <b>3</b> Heater inlet hose            | <b>13</b> Radiator bleed pipe    |
| <b>4</b> Heater inlet pipe            | <b>14</b> Radiator               |
| <b>5</b> Throttle housing             | <b>15</b> Radiator bottom hose   |
| <b>6</b> Throttle housing inlet hose  | <b>16</b> Thermostat housing     |
| <b>7</b> Throttle housing return pipe | <b>17</b> Coolant pump feed hose |
| <b>8</b> Manifold outlet pipe         | <b>18</b> Expansion tank         |
| <b>9</b> Heater return pipe           | <b>19</b> Pressure cap           |
| <b>10</b> Coolant pump                | <b>20</b> Overflow/breather pipe |