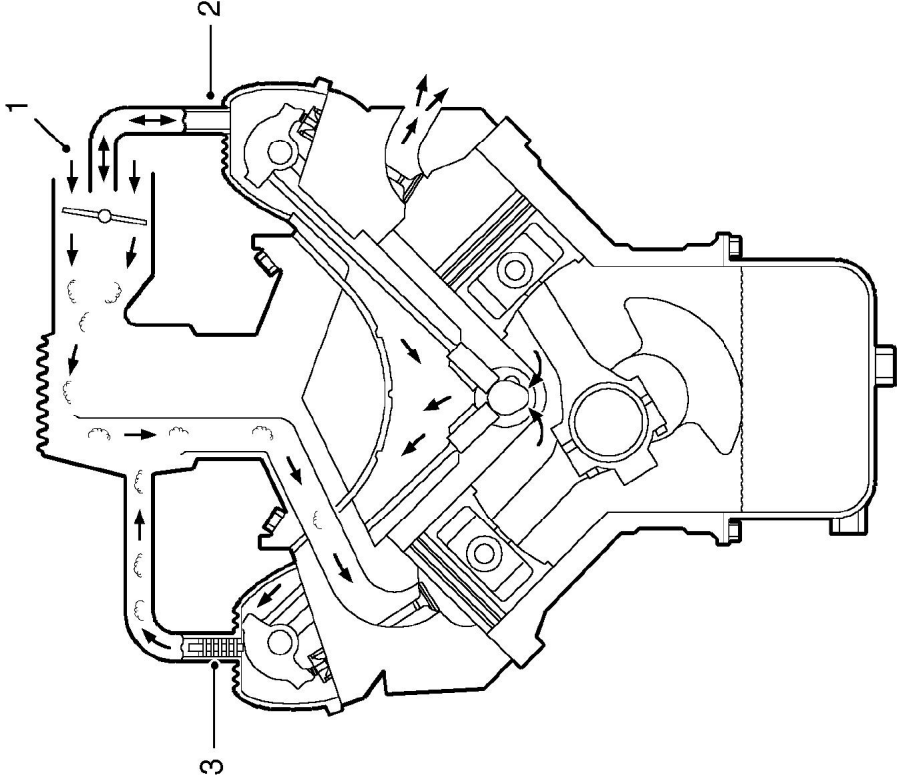




## EMISSION CONTROL - V8

### Crankcase emission control system



M17 0155

- 1 Intake air
- 2 LH rocker cover breather tube

- 3 Oil separator in RH rocker breather tube