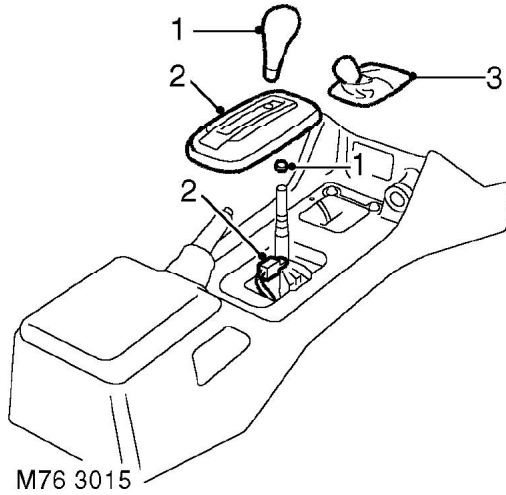




**Console - centre - automatic models**

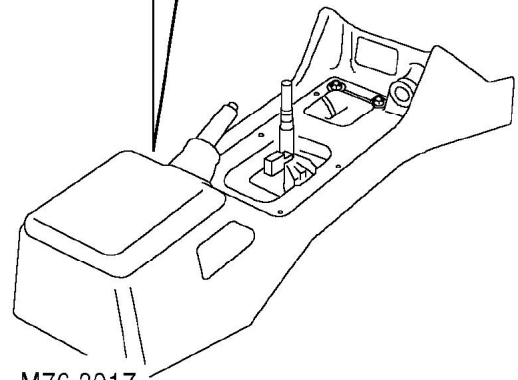
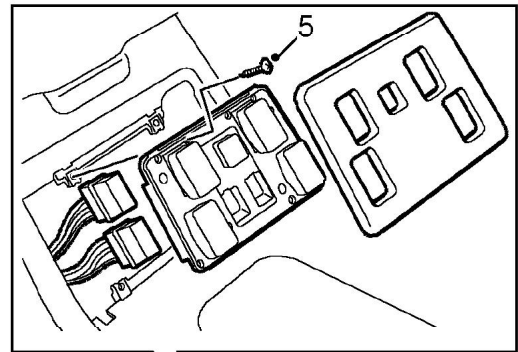
➔ 76.25.01

**Remove**



M76 3015

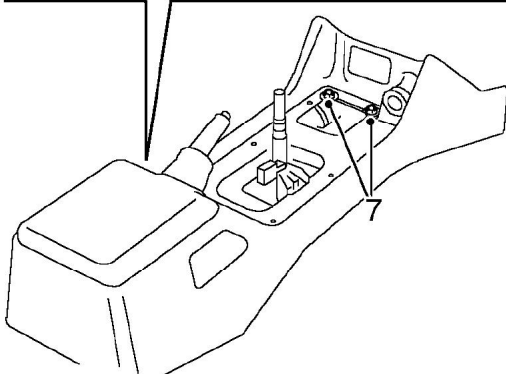
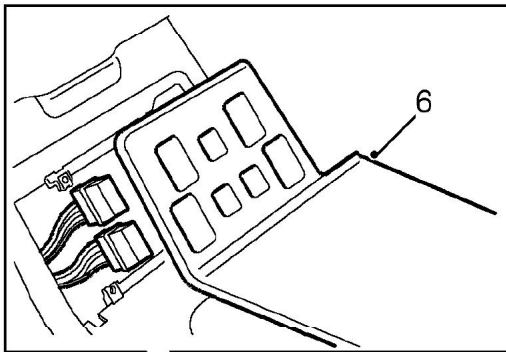
1. Select position 'D', remove gear selector knob and collect spacer.
2. **Models from 03MY:** Remove both centre console cup holders.
3. Release selector panel, disconnect multiplug and remove panel .
4. Release clips securing transfer box lever gaiter to centre console and remove knob and gaiter.



M76 3017

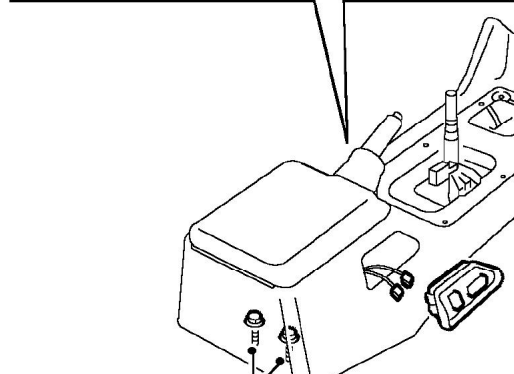
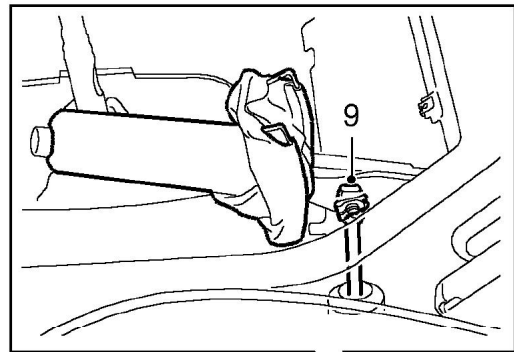
5. **Models with base trim:** Remove rubber mat from centre console and remove cover plate from switch pack.
6. **Models with base trim:** Remove 4 screws securing switch pack to centre console, disconnect multiplugs and remove switch pack.

## INTERIOR TRIM COMPONENTS



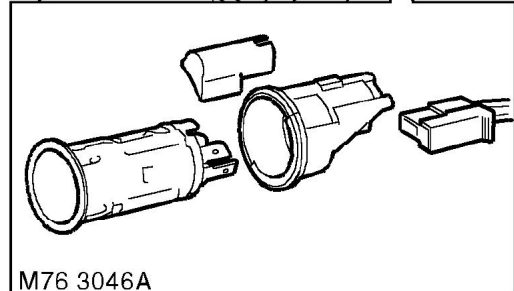
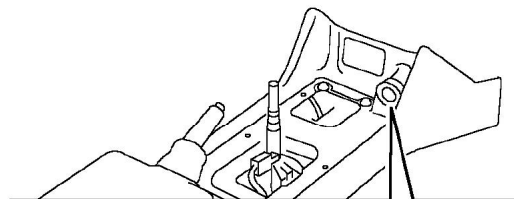
M76 3018A

7. **Models with veneer trim:** Release veneered console cover and remove cigar lighter element. Disconnect multiplugs from switch pack and remove veneered console cover.
8. Remove 2 bolts securing forward edge of console to transmission tunnel.



M76 3019

9. Release handbrake gaiter from console.
10. Remove clip and clevis pin securing cable to handbrake lever.
11. Move handbrake to fully upward position.
12. Release electric seat switches from console.
13. Disconnect multiplugs from switches and remove.
14. Remove 2 bolts securing rear of console to transmission tunnel.
15. Release centre console from fascia.



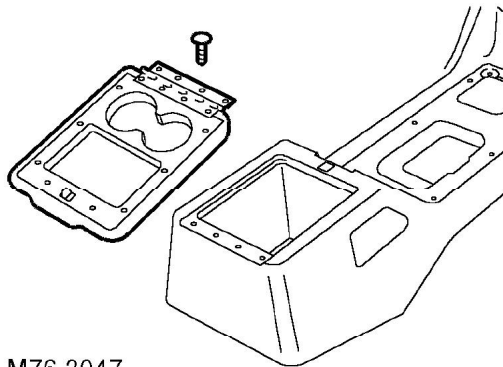
M76 3046A

16. Disconnect multiplug and bulb from cigar lighter.



17. Remove console.

*NOTE: Do not carry out further dismantling if component is removed for access only.*



M76 3047

18. Remove 4 screws securing storage bin lid to console and remove lid.

19. Release cigar lighter body from console and remove.

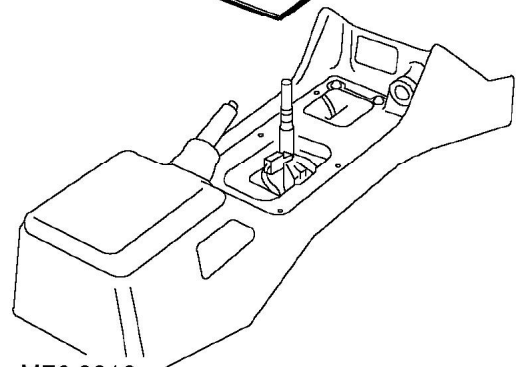
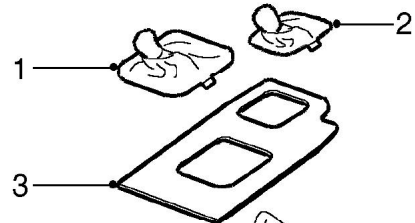
**Refit**

1. Fit and secure cigar lighter body to console.
2. Fit lid to console and secure with screws.
3. Fit console.
4. Connect multiplug and bulb to cigar lighter.
5. Fit centre console to fascia.
6. Fit 2 bolts securing rear of console to transmission tunnel.
7. Connect multiplugs to seat switches.
8. Fit switches to console.
9. Move handbrake to lowered position.
10. Fit cable to handbrake and secure with clevis pin and clip.
11. Fit handbrake gaiter to console.
12. Fit bolts securing forward edge of console to transmission tunnel.
13. **Models with veneer trim:** Position veneered console cover and connect multiplugs to switch pack. Fit cigar lighter element and secure veneered console cover to console.
14. **Models with base trim:** Connect multiplugs to switch pack, fit switch pack to console and secure with screws.
15. **Models with base trim:** Fit cover plate to switch pack, and rubber mat to console.
16. Fit transfer box gaiter and knob to lever.
17. Secure transfer box gaiter to console.
18. Connect multiplug to selector panel, fit and secure panel to centre console.
19. Fit spacer and knob to gear selector lever.
20. **Models from 03MY:** Fit both centre console cup holders.

**Console - centre - manual models**

76.25.01

**Remove**



M76 3016

1. Release clips securing gear lever gaiter to centre console and remove knob and gaiter.
2. **Models from 03MY:** Remove both centre console cup holders.
3. Release clips securing transfer box lever gaiter to centre console and remove knob and gaiter.