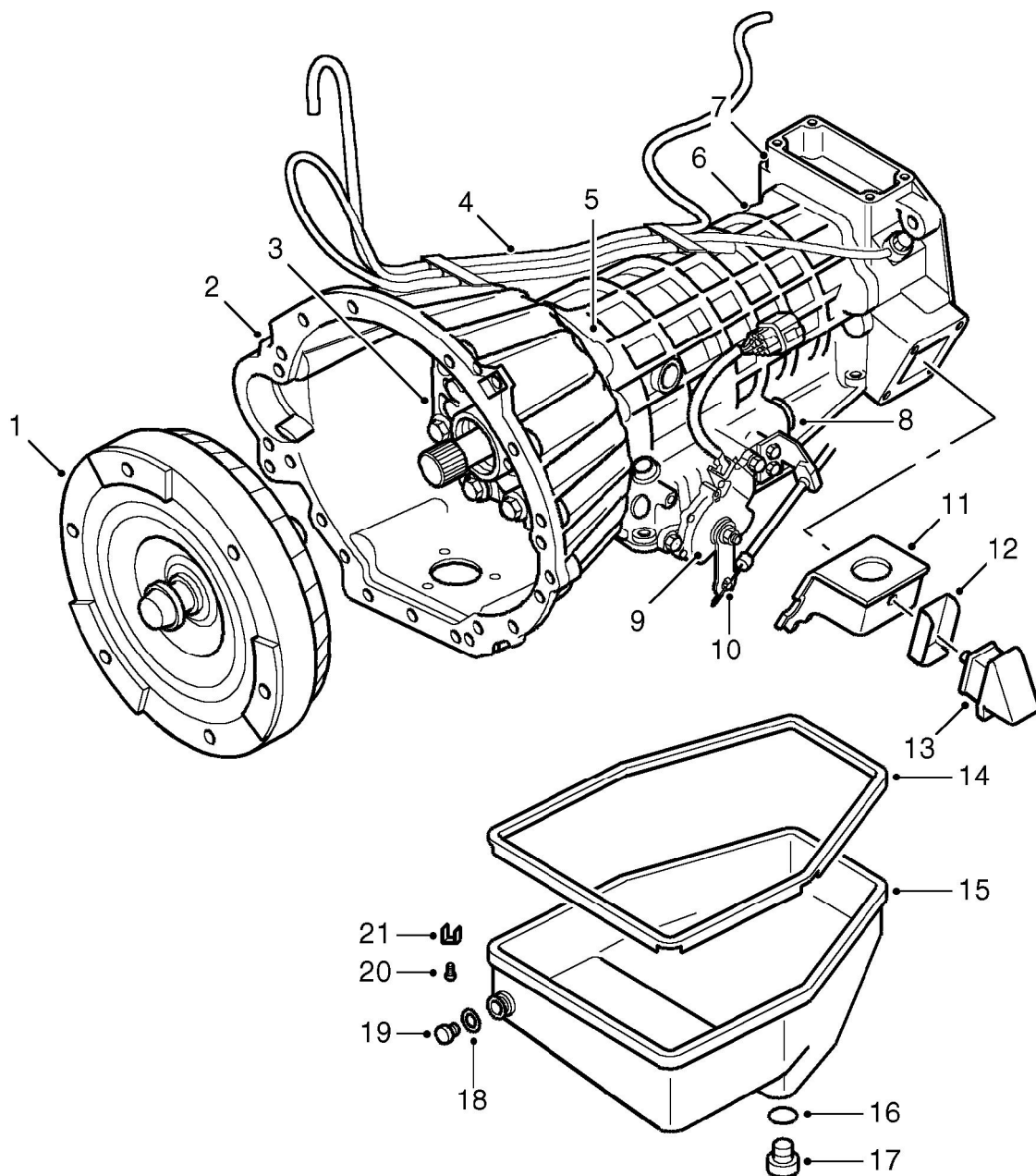


AUTOMATIC GEARBOX - ZF4HP22 - 24

Gearbox



M44 1741

Diesel gearbox shown, V8 gearbox similar

- | | |
|----------------------------|----------------------|
| 1 Torque converter | 12 Heat shield |
| 2 Torque converter housing | 13 Rubber mounting |
| 3 Fluid pump | 14 Gasket |
| 4 Breather tube | 15 Sump |
| 5 Intermediate plate | 16 'O' ring seal |
| 6 Gearbox housing | 17 Drain plug |
| 7 Rear extension housing | 18 'O' ring seal |
| 8 Electrical connector | 19 Filler/level plug |
| 9 Gear position switch | 20 Bolt |
| 10 Selector lever | 21 Clamp |
| 11 Mounting bracket | |