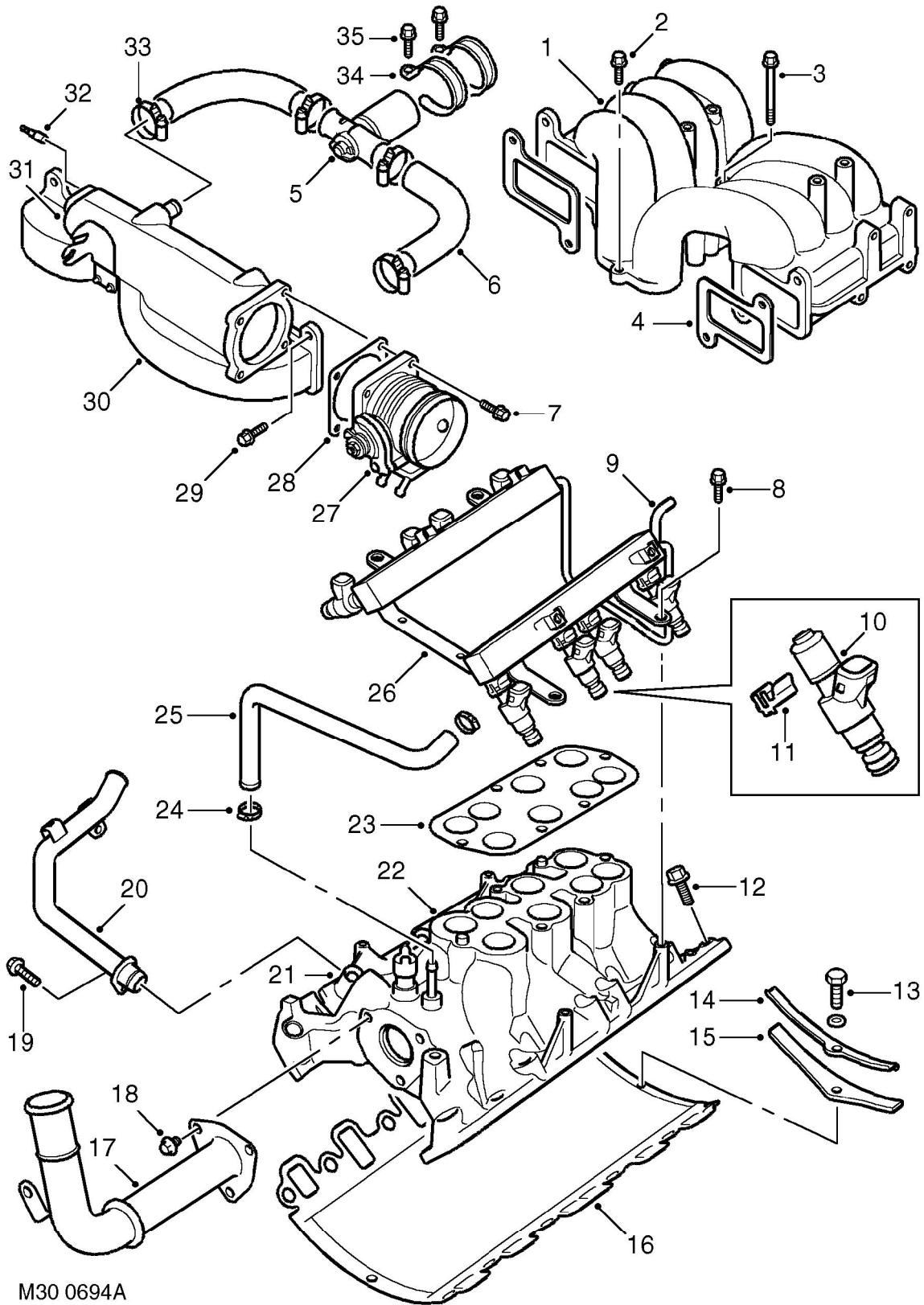


Inlet manifold component layout





- | | |
|--|---|
| 1 Upper manifold | 18 Bolt 3 off |
| 2 Bolt 5 off | 19 Bolt |
| 3 Bolt 1 off | 20 Heater return pipe |
| 4 Gasket | 21 Pipe connection |
| 5 IAC Valve | 22 Lower manifold |
| 6 IAC valve hose 2 off | 23 Gasket |
| 7 Bolt 4 off | 24 Hose clip 2 off |
| 8 Bolt 4 off | 25 Throttle housing coolant hose |
| 9 Schraeder valve | 26 Fuel rail |
| 10 Injector 8 off | 27 Throttle housing |
| 11 Retaining clip 8 off | 28 Gasket |
| 12 Bolt 12 off | 29 Bolt 4 off |
| 13 Bolt 2 off | 30 Plenum |
| 14 Clamp 2 off | 31 Rocker cover breather hose connection |
| 15 Seal 2 off | 32 Brake servo vacuum pipe connection |
| 16 Lower manifold/engine gasket | 33 Hose clip 4 off |
| 17 Coolant pipe | |