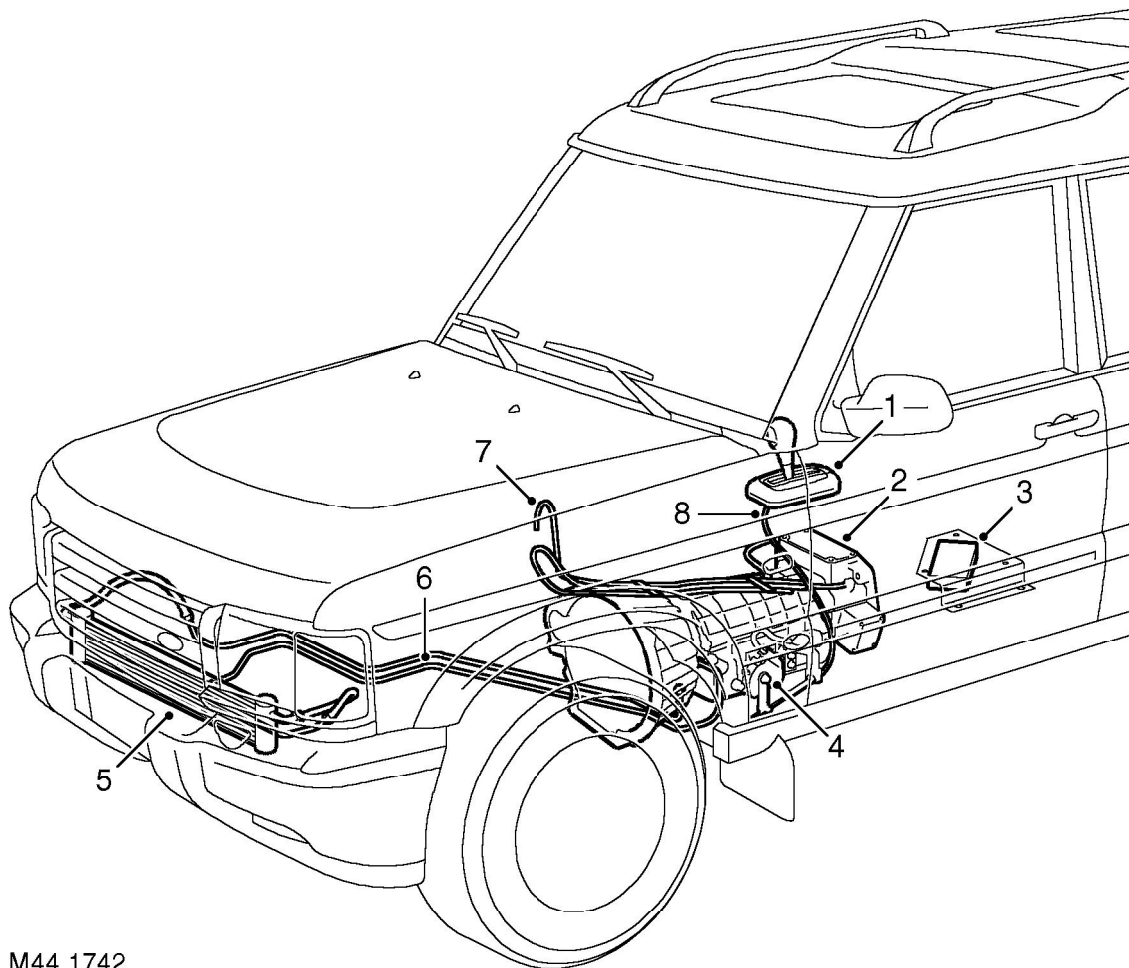




**Automatic gearbox component layout**



M44 1742

- |   |                  |
|---|------------------|
| 1 Selector lever assembly               | 5 Oil cooler     |
| 2 Gearbox                               | 6 Fluid lines    |
| 3 Electronic automatic transmission ECU | 7 Breather tube  |
| 4 Selector position switch              | 8 Selector cable |