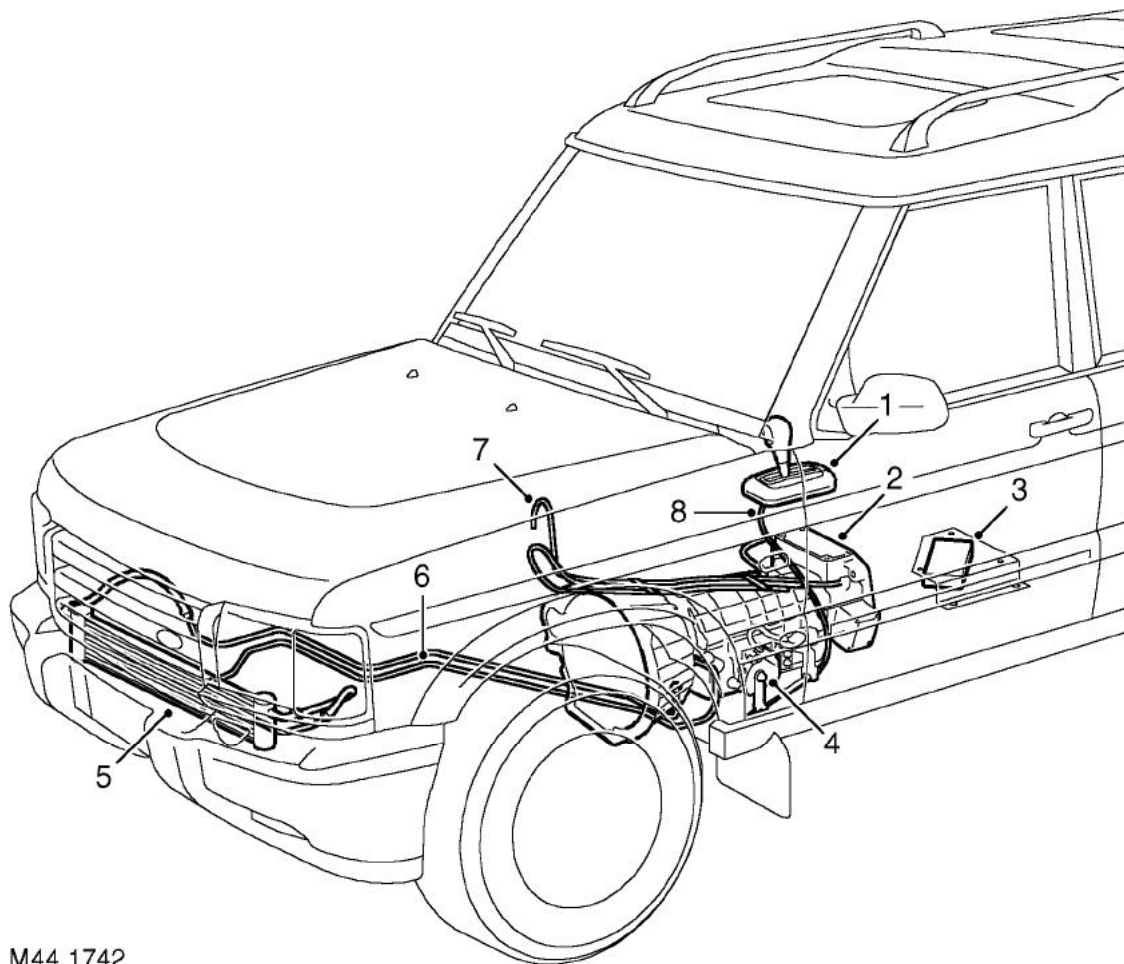




Automatic gearbox component layout



M44 1742

- | | |
|---|------------------|
| 1 Selector lever assembly | 5 Oil cooler |
| 2 Gearbox | 6 Fluid lines |
| 3 Electronic automatic transmission ECU | 7 Breather tube |
| 4 Selector position switch | 8 Selector cable |