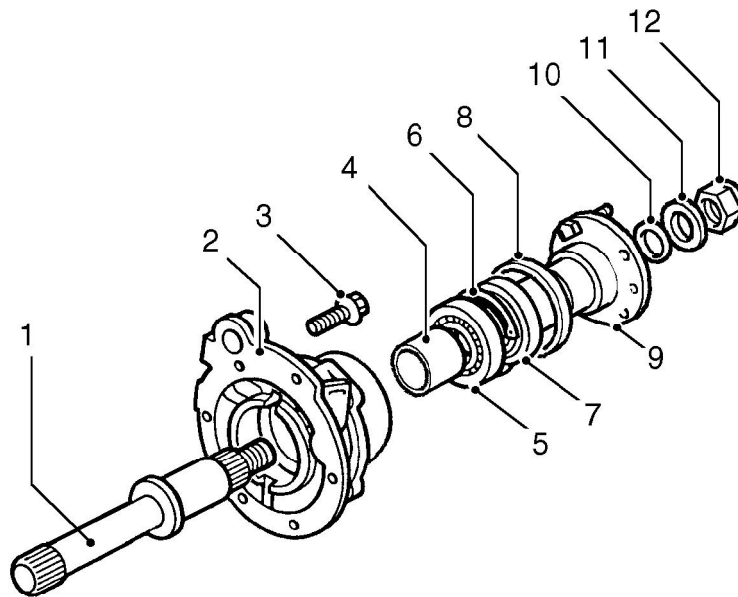


Rear output housing components



M41 7806

- 1 Rear output shaft
- 2 Rear output housing
- 3 Bolt - rear output housing
- 4 Spacer
- 5 Output shaft bearing
- 6 Circlip

- 7 Oil seal
- 8 Mud shield
- 9 Rear output flange
- 10 Felt washer
- 11 Steel washer
- 12 Self-locking nut