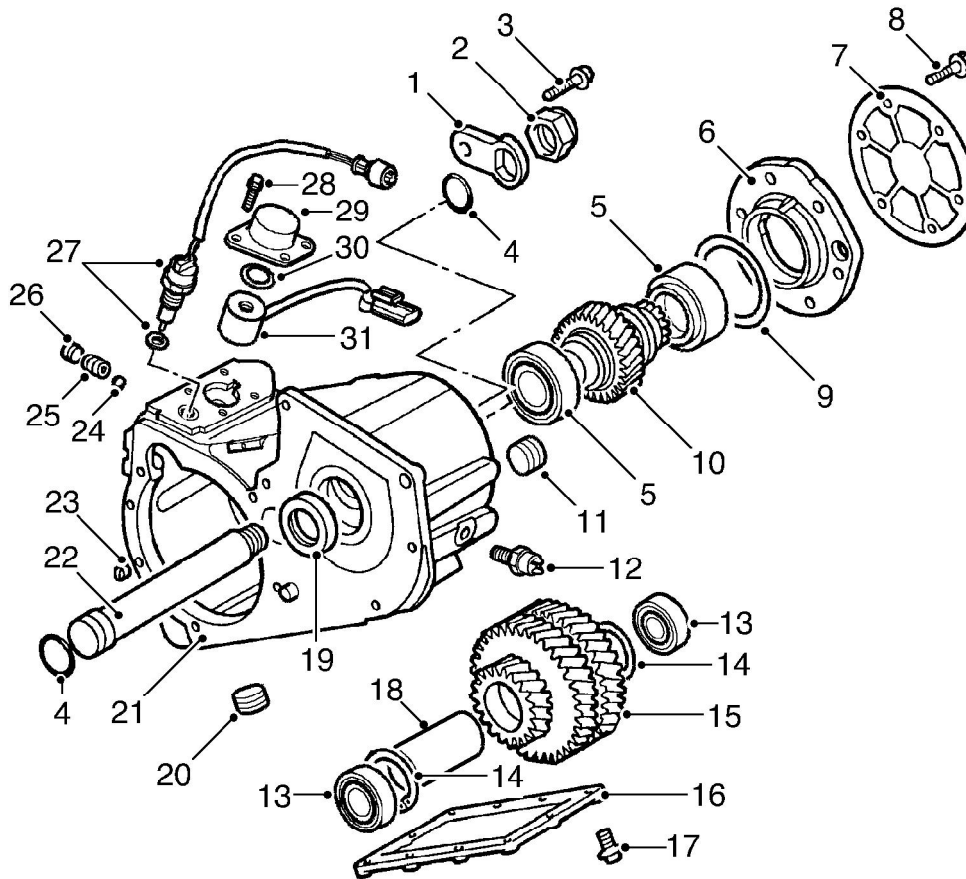


TRANSFER BOX - LT230SE

Main casing components – Vehicles up to 03 model year



M41 7424A

- | | |
|--|---|
| 1 Retaining plate | 19 Mainshaft oil seal |
| 2 Stake nut - intermediate shaft | 20 Oil drain plug |
| 3 Bolt - retaining plate | 21 Main casing |
| 4 'O' rings - intermediate shaft | 22 Intermediate shaft |
| 5 Bearings and outer tracks - mainshaft input gear | 23 Locating dowel |
| 6 Mainshaft input gear bearing housing | 24 Detent ball - high/low selector |
| 7 Cover plate | 25 Detent spring - high/low selector |
| 8 Bolt - cover plate | 26 Detent plug - high/low selector |
| 9 Selective shim | 27 Neutral warning switch - Automatic gearbox only - North America and Japan |
| 10 Mainshaft input gear | 28 Bolt - interlock solenoid cover - Automatic gearbox only - North America and Japan |
| 11 Oil filler/level plug | 29 Cover - interlock solenoid - Automatic gearbox only - North America and Japan |
| 12 Oil temperature switch - if fitted | 30 Belleville washer - Automatic gearbox only - North America and Japan |
| 13 Bearings and outer tracks - intermediate gears | 31 Interlock solenoid - Automatic gearbox only - North America and Japan |
| 14 Circlips | |
| 15 Intermediate gears | |
| 16 Bottom cover plate | |
| 17 Bolt - bottom cover plate | |
| 18 Selective spacer | |