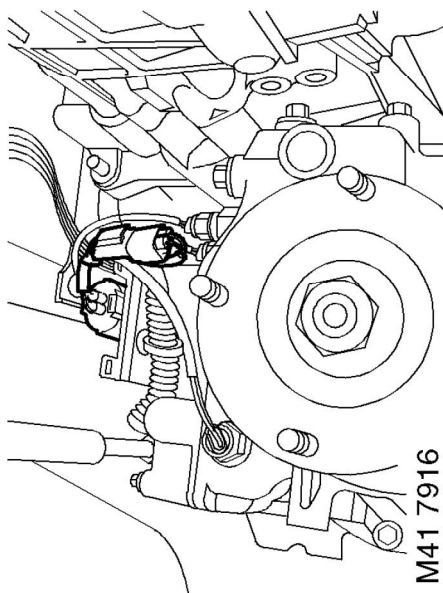


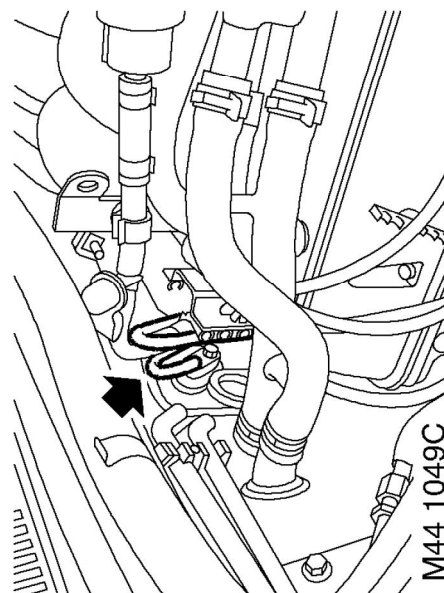


28. Position a second support jack under engine using a block between engine sump and jack to prevent damage to sump.

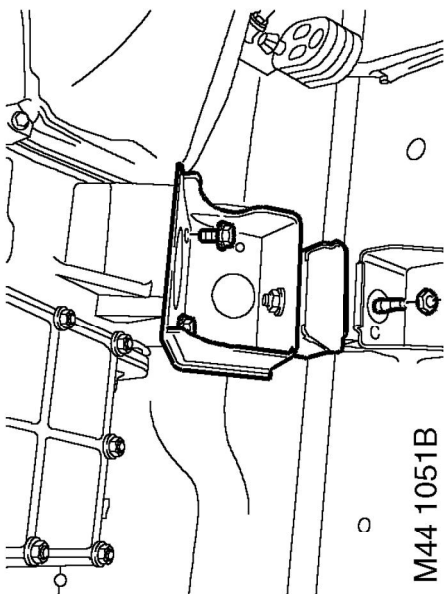


M41 7916

24. **03 Model Year onwards - If fitted:** Release and disconnect both differential lock warning lamp switch multiplugs from main harness.
 25. Remove cable tie and multiplug from bracket on transfer box.

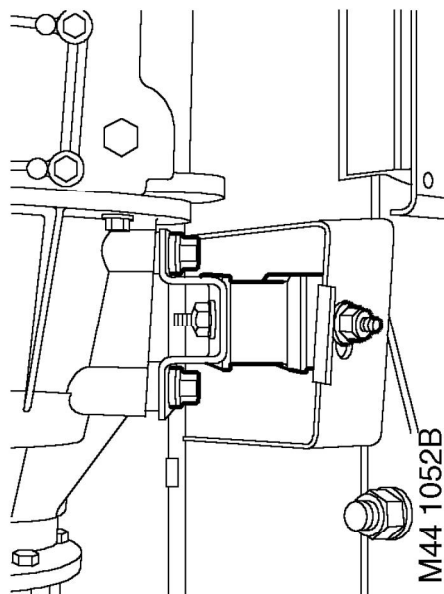


M44 1049C



M44 1051B

29. Remove 4 bolts and nut, remove engine LH rear mounting.



M44 1052B

30. Remove 4 bolts and nut, remove engine RH rear mounting.

26. Release transfer and automatic gearbox breather pipes from clip at rear of cylinder block.