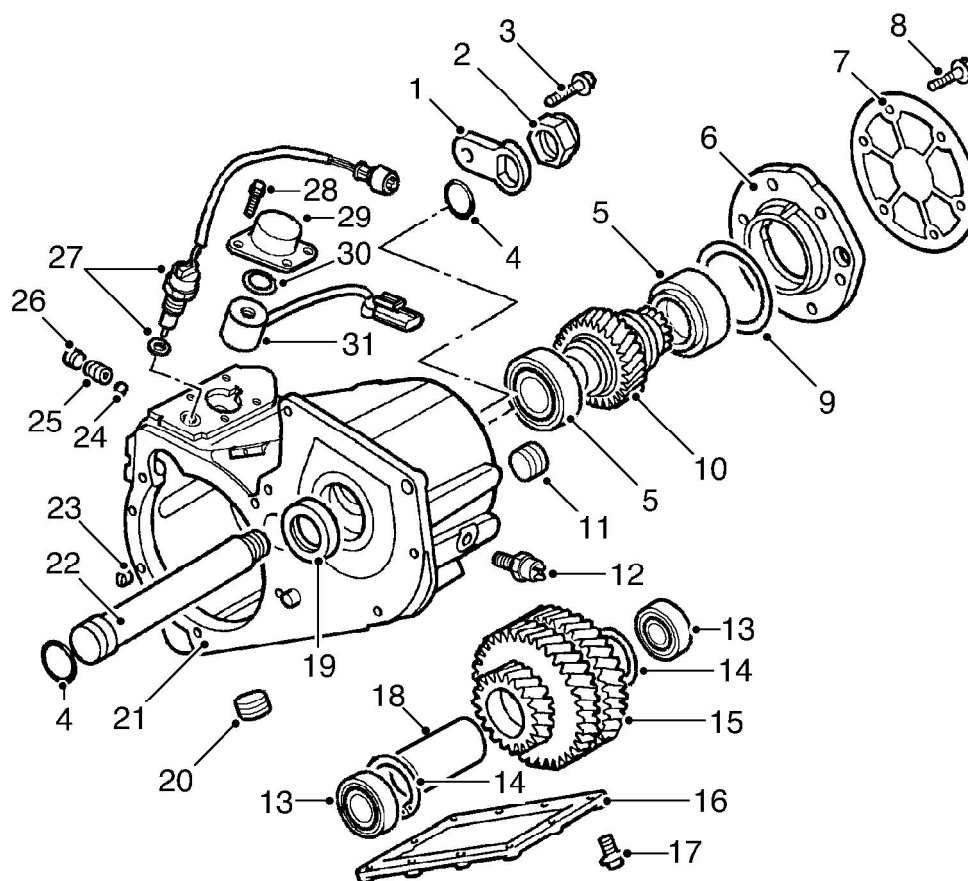


## TRANSFER BOX - LT230SE

### Main casing components – Vehicles up to 03 model year



M41 7424A

- |    |  |    |  |
|----|--|----|--|
| 1  | Retaining plate                                  | 19 | Mainshaft oil seal   |
| 2  | Stake nut - intermediate shaft                   | 20 | Oil drain plug   |
| 3  | Bolt - retaining plate                           | 21 | Main casing  |
| 4  | 'O' rings - intermediate shaft                   | 22 | Intermediate shaft   |
| 5  | Bearings and outer tracks - mainshaft input gear | 23 | Locating dowel   |
| 6  | Mainshaft input gear bearing housing             | 24 | Detent ball - high/low selector  |
| 7  | Cover plate                                      | 25 | Detent spring - high/low selector  |
| 8  | Bolt - cover plate                               | 26 | Detent plug - high/low selector  |
| 9  | Selective shim                                   | 27 | Neutral warning switch - Automatic gearbox only - North America and Japan          |
| 10 | Mainshaft input gear                             | 28 | Bolt - interlock solenoid cover - Automatic gearbox only - North America and Japan |
| 11 | Oil filler/level plug                            | 29 | Cover - interlock solenoid - Automatic gearbox only - North America and Japan      |
| 12 | Oil temperature switch - if fitted               | 30 | Belleville washer - Automatic gearbox only - North America and Japan               |
| 13 | Bearings and outer tracks - intermediate gears   | 31 | Interlock solenoid - Automatic gearbox only - North America and Japan              |
| 14 | Circlips   |    |  |
| 15 | Intermediate gears                               |    |  |
| 16 | Bottom cover plate                               |    |  |
| 17 | Bolt - bottom cover plate                        |    |  |
| 18 | Selective spacer                                 |    |  |