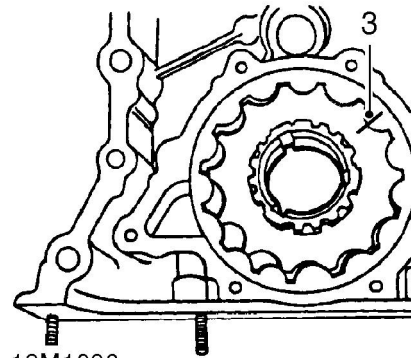


# ENGINE

## OIL PUMP



**NOTE:** Overhaul procedures for the oil pump, oil pressure by-pass and relief valves are limited to carrying out dimensional checks. In the event of wear or damage being found, a replacement timing cover and oil pump assembly must be fitted.



12M1386

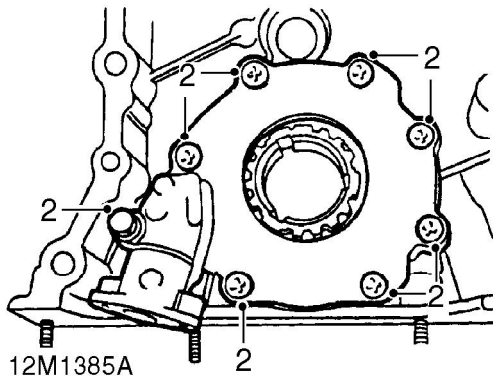
### Oil pump - remove

1. Remove timing cover.



**CAUTION:** Do not attempt to remove oil pump drive gear from inner rotor at this stage.

3. Make suitable alignment marks on inner and outer rotors, remove rotors and oil pump drive gear as an assembly.



12M1385A

2. Remove 7 screws and bolt securing oil pump cover plate, remove plate.