

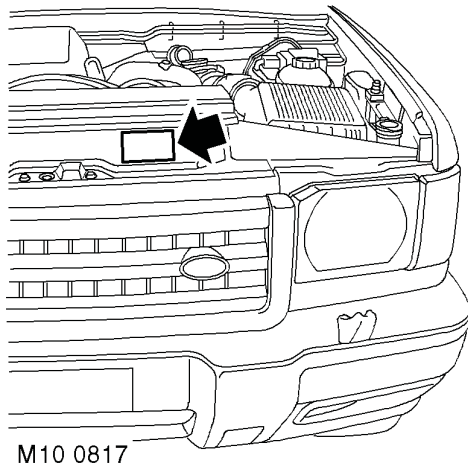


Vehicle Identification Number

Location

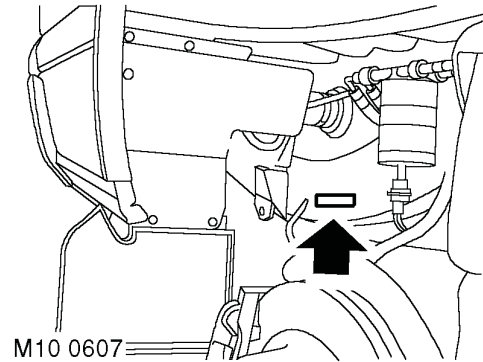
The Vehicle Identification Number (VIN) plate is stamped on a plate attached to the bonnet locking platform. The VIN is also stamped in the following locations:

- On a plate behind the LH lower corner of the windscreen.
- On the chassis RH longitudinal behind the rear wheel.



M10 0817

Bonnet locking platform VIN



M10 0607

Chassis VIN

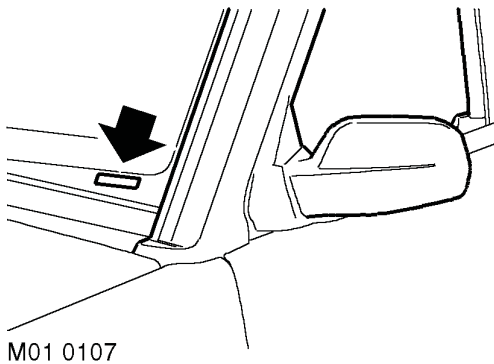
VIN plate content

LAND ROVER			
a			
	b		Kg
	c		Kg
1 -	d		Kg
2 -	e		Kg
PAINT	f	TRIM	g

M01 0113B

The VIN plate contains the following information.

- a Vehicle Identification Number (VIN)
- b Gross vehicle weight
- c Gross train weight
- d Maximum front axle load
- e Maximum rear axle load
- f Paint code
- g Trim code



M01 0107

Windscreen VIN

IDENTIFICATION NUMBERS

Vehicle identification number - except NAS and Canada

Example: **SALLTGM87WA600172**

SAL	Manufacturer's identifier (Land Rover UK)
LT	Marque/Model LT = Discovery
G	Class A = Japan G = 100 inch
M	Body Style B = 5 door models
8	Engine 1 = 4.0 V8 LC Cat 2 = 4.0 V8 HC Cat 3 = 4.0 LC Non Cat 8 = TD5 engine EGR/Cat 9 = TD5 engine EGR/ Non Cat
7	Transmission and Steering 3 = RHD automatic gearbox 4 = LHD automatic gearbox 7 = RHD manual gearbox 8 = LHD manual gearbox
W	Model Year W = 1998 Model year X = 1999 Model year Y = 2000 Model year 1 = 2001 Model year 2 = 2002 Model year 3 = 2003 Model year
A	Assembly plant A = Solihull F = KD build
6 figures = Serial number	

Vehicle identification number - NAS and Canada

Example: **SALTY124OWA600180**

SAL	Manufacturer's identifier (Land Rover UK)
T	Marque/Model T = Discovery
Y	Class Y = 100 inch USA/Canada N = 100 inch California
1	Body Style 1 = 4 door Station Wagon
2	Engine 2 = 4.0 V8 HC Cat
4	Transmission and Steering 4 = LHD automatic gearbox
O	Check digit
W	Model Year W = 1998 Model year X = 1999 Model year Y = 2000 Model year 1 = 2001 Model year 2 = 2002 Model year 3 = 2003 Model year
A	Assembly plant A = Solihull
6 figures = Serial number	

Paint and trim colour codes

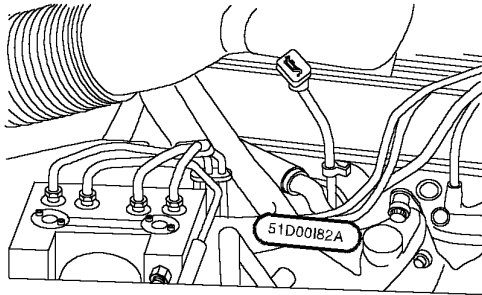
Paint code (F): a 3 digit code identifying the original paint colour is stamped on the VIN plate. Refer to Parts Catalogue for full list of colour codes.

Trim code (G): a code identifying the original trim type and colour is stamped on the VIN plate. Refer to the relevant Parts Catalogue for coding details



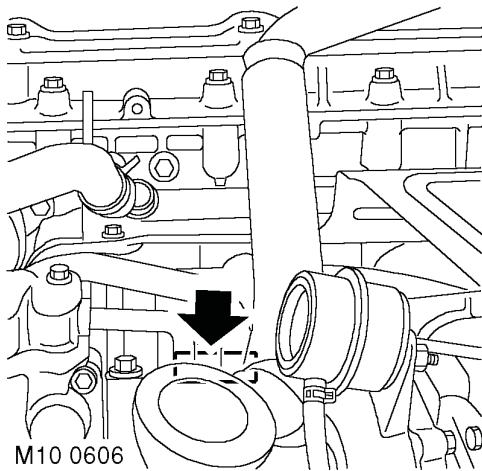
Identification Number Locations

Engine number



M01 0106

V8 Engine

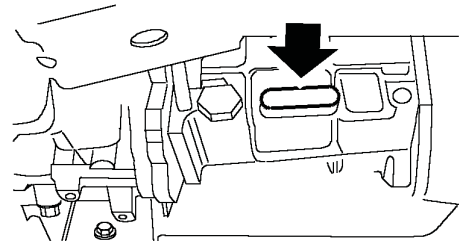


M10 0606

Td5 Engine

Stamped on the LH side of the cylinder block below the exhaust manifold

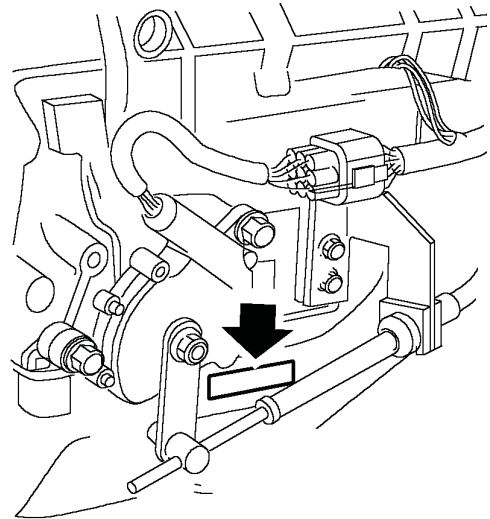
Manual gearbox number



M12 4642A

Stamped on the RH side of the gearbox casing, adjacent to the oil drain plug.

Automatic gearbox number

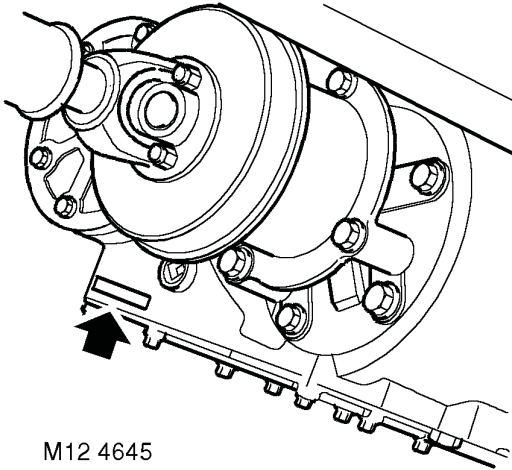


M10 0605

Stamped on a plate attached to the LH side of the gearbox casing adjacent to the selector mechanism.

IDENTIFICATION NUMBERS

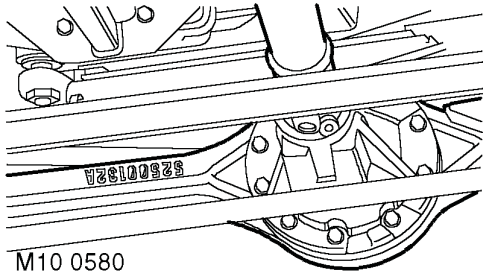
Transfer box number



M12 4645

Stamped on the rear of the transfer box casing above the bottom cover plate.

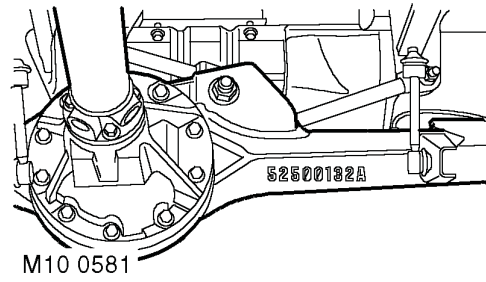
Front axle number



M10 0580

Stamped on the rear face of the axle tube on the LH side.

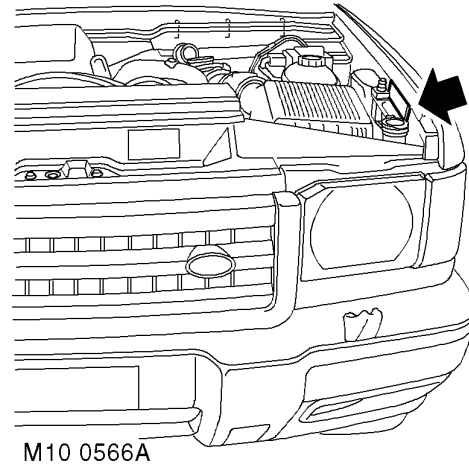
Rear axle number



M10 0581

Stamped on the front face of the axle tube on the LH side.

Body number



M10 0566A

Stamped on a label attached to the LH inner wing, behind the headlamp.