

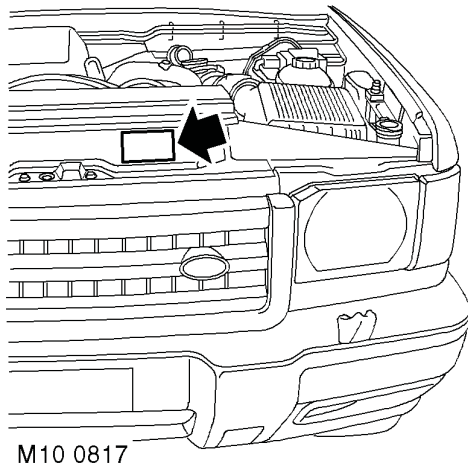


## Vehicle Identification Number

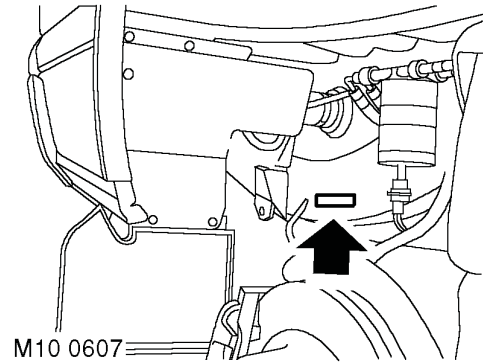
### Location

The Vehicle Identification Number (VIN) plate is stamped on a plate attached to the bonnet locking platform. The VIN is also stamped in the following locations:

- On a plate behind the LH lower corner of the windscreen.
- On the chassis RH longitudinal behind the rear wheel.



Bonnet locking platform VIN



Chassis VIN

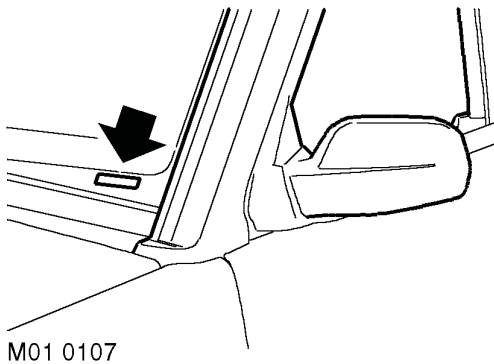
### VIN plate content

LAND ROVER			
a			
	b		Kg
	c		Kg
1 -	d		Kg
2 -	e		Kg
PAINT	f	TRIM	g

M01 0113B

The VIN plate contains the following information.

- a Vehicle Identification Number (VIN)
- b Gross vehicle weight
- c Gross train weight
- d Maximum front axle load
- e Maximum rear axle load
- f Paint code
- g Trim code



Windscreen VIN

## IDENTIFICATION NUMBERS

### Vehicle identification number - except NAS and Canada

Example: **SALLTGM87WA600172**

<b>SAL</b>	Manufacturer's identifier (Land Rover UK)
<b>LT</b>	Marque/Model LT = Discovery
<b>G</b>	Class A = Japan G = 100 inch
<b>M</b>	Body Style B = 5 door models
<b>8</b>	Engine 1 = 4.0 V8 LC Cat 2 = 4.0 V8 HC Cat 3 = 4.0 LC Non Cat 8 = TD5 engine EGR/Cat 9 = TD5 engine EGR/ Non Cat
<b>7</b>	Transmission and Steering 3 = RHD automatic gearbox 4 = LHD automatic gearbox 7 = RHD manual gearbox 8 = LHD manual gearbox
<b>W</b>	Model Year W = 1998 Model year X = 1999 Model year Y = 2000 Model year 1 = 2001 Model year 2 = 2002 Model year 3 = 2003 Model year
<b>A</b>	Assembly plant A = Solihull F = KD build
<b>6 figures</b> = Serial number	

### Vehicle identification number - NAS and Canada

Example: **SALTY124OWA600180**

<b>SAL</b>	Manufacturer's identifier (Land Rover UK)
<b>T</b>	Marque/Model T = Discovery
<b>Y</b>	Class Y = 100 inch USA/Canada N = 100 inch California
<b>1</b>	Body Style 1 = 4 door Station Wagon
<b>2</b>	Engine 2 = 4.0 V8 HC Cat
<b>4</b>	Transmission and Steering 4 = LHD automatic gearbox
<b>O</b>	Check digit
<b>W</b>	Model Year W = 1998 Model year X = 1999 Model year Y = 2000 Model year 1 = 2001 Model year 2 = 2002 Model year 3 = 2003 Model year
<b>A</b>	Assembly plant A = Solihull
<b>6 figures</b> = Serial number	

#### Paint and trim colour codes

**Paint code (F):** a 3 digit code identifying the original paint colour is stamped on the VIN plate. Refer to Parts Catalogue for full list of colour codes.

**Trim code (G):** a code identifying the original trim type and colour is stamped on the VIN plate. Refer to the relevant Parts Catalogue for coding details