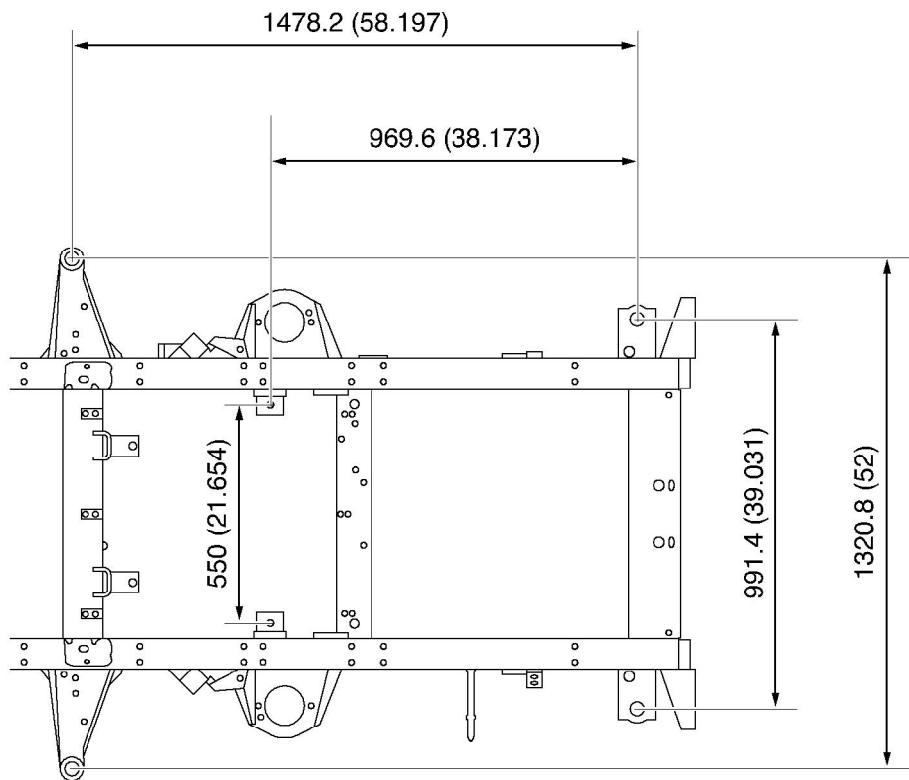


CHASSIS AND BODY DIMENSIONS

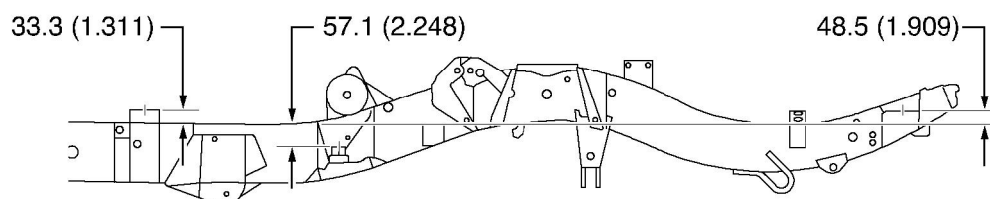
Chassis body mounting points - rear end

Plan view



M77 1729

Side view



M77 1739

Figures shown outside brackets are metric measurements (millimetres) and those inside brackets are imperial measurements (inches).