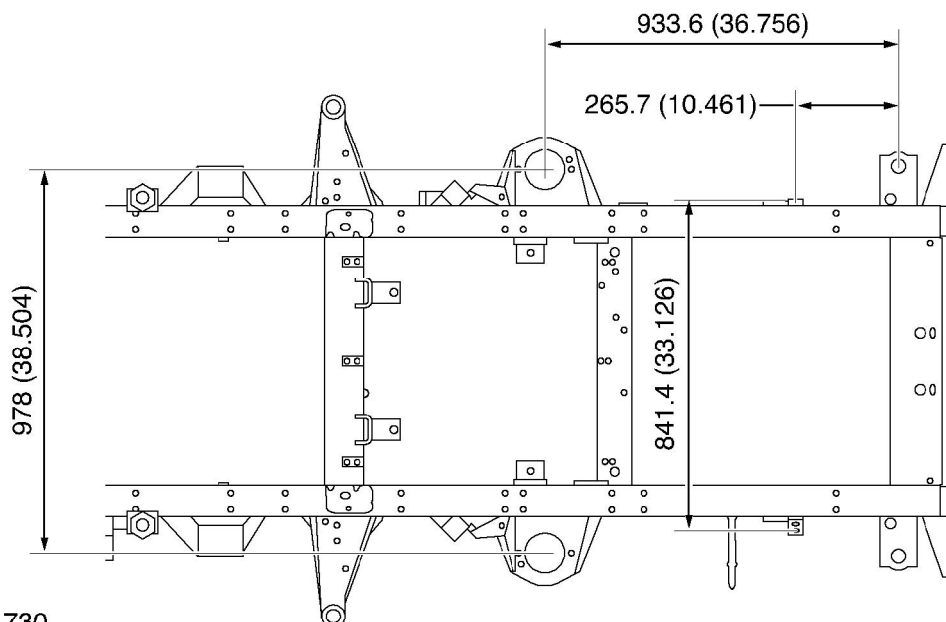


CHASSIS AND BODY DIMENSIONS

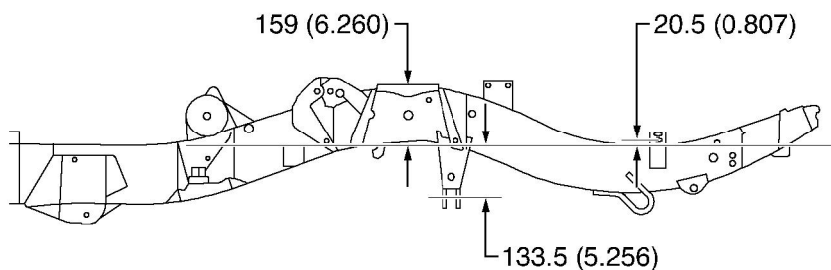
Chassis dimensions - rear end

Plan view



M77 1730

Side view



M77 1738

Figures shown outside brackets are metric measurements (millimetres) and those inside brackets are imperial measurements (inches).