

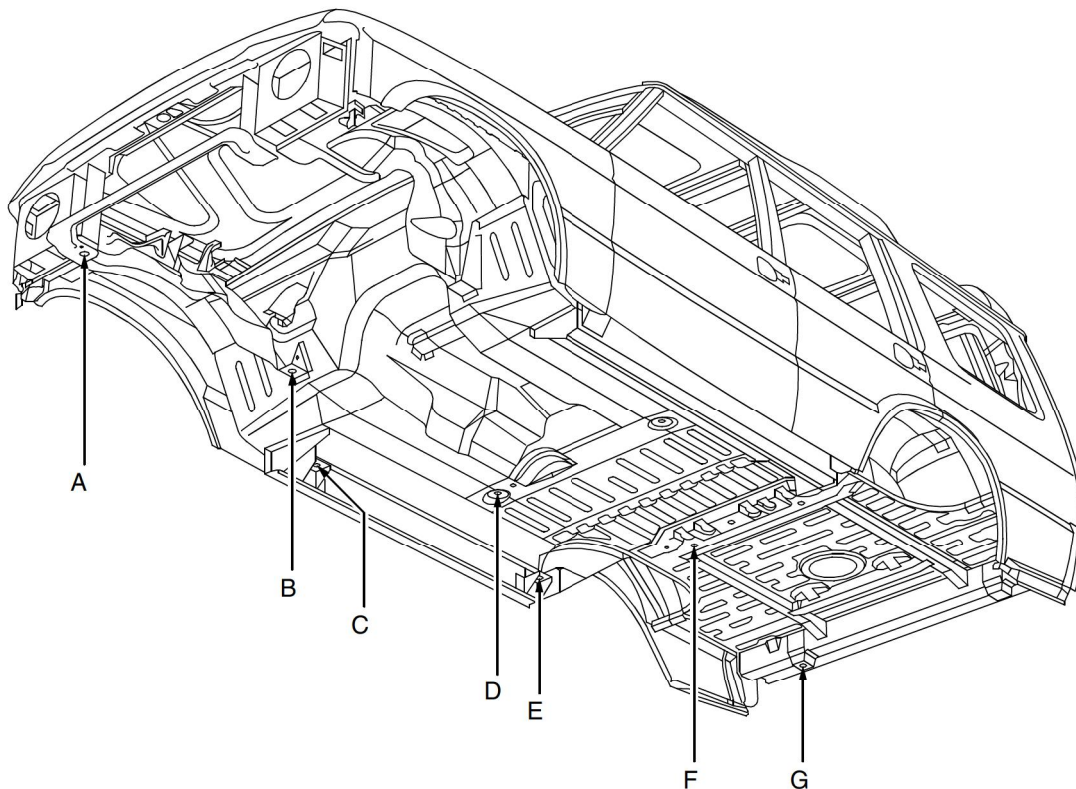
CHASSIS AND BODY DIMENSIONS

The point to point dimensional information shown are actual distances between two points. These points used are either intersection points or holes. Where holes are taken, the point of measurement is always from the hole centre.

X,Y,Z dimensional information

Figures shown outside brackets are metric measurements (millimetres) and those inside brackets are imperial measurements (inches).

Body to chassis mounting holes



M77 1759

I.D	Description	X	Y	Z
A	Front mounting hole	-3071.6 (-120.929)	419.1 (16.500)	271.5 (10.688)
B	Second mounting hole	-2130.5 (-83.877)	414.3 (16.311)	233.4 (9.188)
C	Third mounting hole	-1763.7 (-69.437)	660.4 (26.000)	78.0 (3.070)
D	Fourth mounting hole	-1055.6 (-41.559)	414.3 (16.311)	169.8 (6.685)
E	Fifth mounting hole	-552.3 (-21.744)	660.4 (26.000)	78.0 (3.070)
F	Sixth mounting hole	-44.000 (-1.732)	275.0 (10.826)	296.4 (11.669)
G	Rear mounting hole	925.6 (36.440)	495.3 (19.500)	184.6 (7.267)